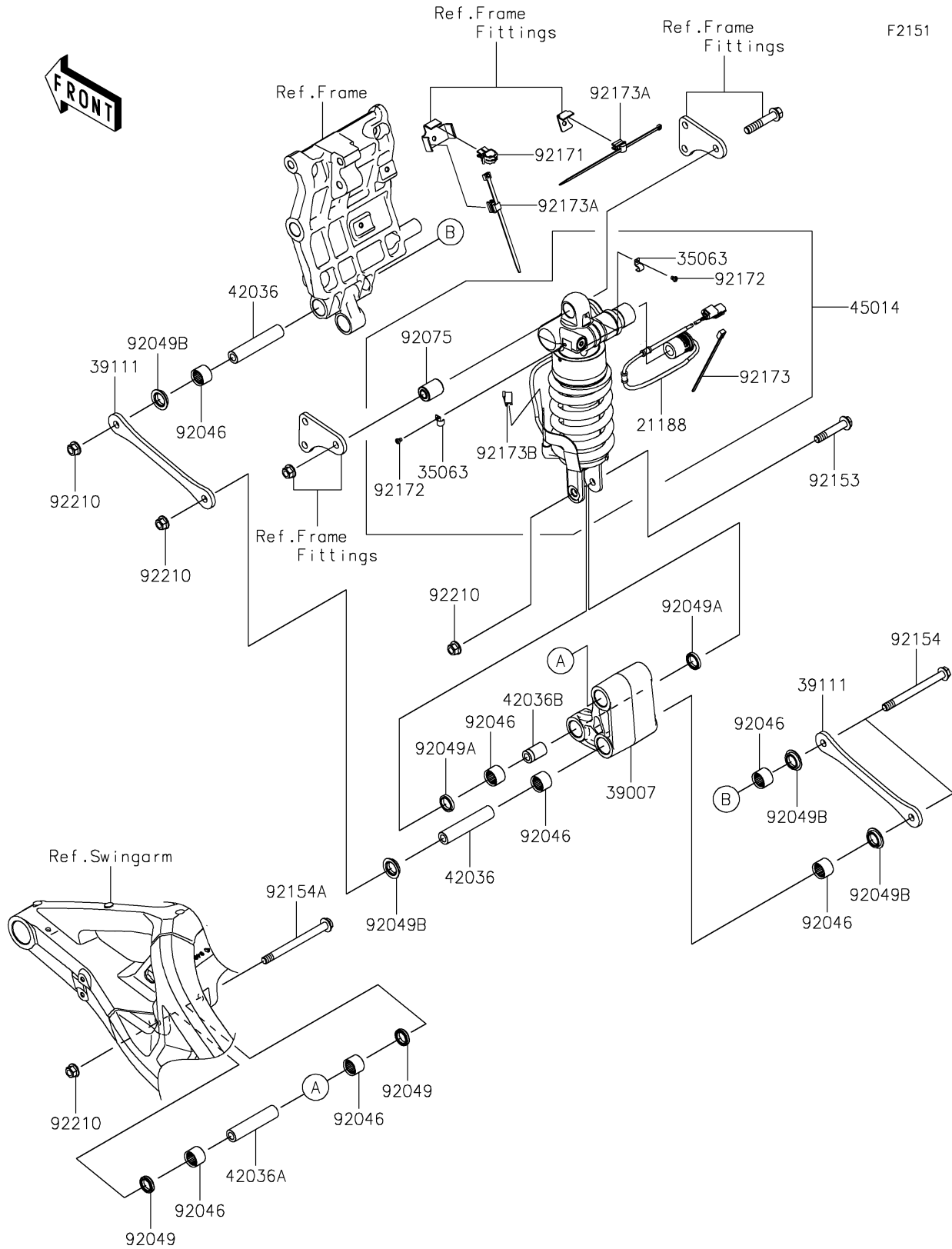


# 2025 Z H2 SE PARTS DIAGRAM

Suspension/Shock Absorber



## 2025 Z H2 SE PARTS LIST

### Suspension/Shock Absorber

ITEM NAME	PART NUMBER	QUANTITY
SOLENOID (Ref # 21188)	21188-0024	1
STAY (Ref # 35063)	35063-1439	2
ARM-SUSP (Ref # 39007)	39007-0443	1
ROD-TIE,SUSPENSION (Ref # 39111)	39111-0375	2
SLEEVE,10.1X18X90.5 (Ref # 42036)	42036-0828	2
SLEEVE,10.1X18X83.5 (Ref # 42036A)	42036-0847	1
SLEEVE,10.1X18X30 (Ref # 42036B)	42036-1258	1
SHOCKABSORBER,KECS (Ref # 45014)	45014-0737	1
BEARING-NEEDLE,SFYZM182417 (Ref # 92046)	92046-1272	7
SEAL-OIL,SD0 17 24 5 NS (Ref # 92049)	92049-0158	2
SEAL-OIL,MHA18244 (Ref # 92049A)	92049-1225	2
SEAL-OIL,KCR MF018N1 (Ref # 92049B)	92049-1493	4
DAMPER,SHOCKABSORBER (Ref # 92075)	92075-1426	1
BOLT,FLANGED,10X55 (Ref # 92153)	92153-1546	1
BOLT,FLANGED,10X114 (Ref # 92154)	92154-1553	2
BOLT,FLANGED,10X120 (Ref # 92154A)	92154-4060	1
CLAMP,EDGE CLIP (Ref # 92171)	92171-1722	1
SCREW (Ref # 92172)	92172-1252	2
CLAMP (Ref # 92173)	92173-1918	1
CLAMP (Ref # 92173A)	92173-2077	2
CLAMP (Ref # 92173B)	92173-2161	1
NUT,LOCK,FLANGED,10MM (Ref # 92210)	92210-1139	4