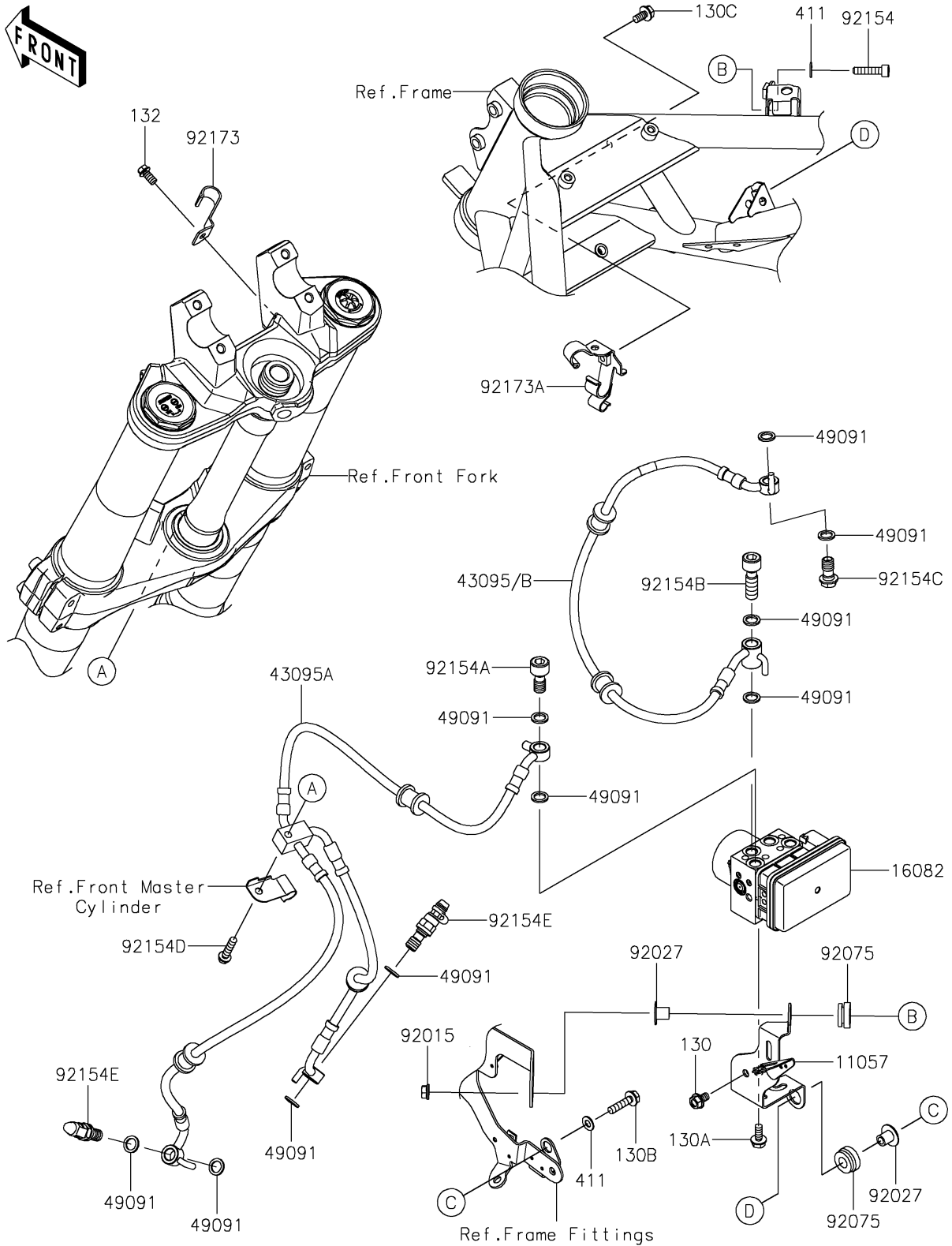


2024 Z H2 SE PARTS DIAGRAM

Brake Piping

F2262



2024 Z H2 SE PARTS LIST

Brake Piping

ITEM NAME	PART NUMBER	QUANTITY
BRACKET,ABS PUMP UNIT (Ref # 11057)	11057-2929	1
PUMP-ASSY-OIL,ABS,BOSCH,9.1MP (Ref # 16082)	16082-0854	1
HOSE-BRAKE,ABS UNIT-FR M/C (Ref # 43095)	43095-1710	1
HOSE-BRAKE,ABS UNIT-FR CALIPER (Ref # 43095A)	43095-1711	1
WASHER-SEAL,10.1X14.5X1.5 (Ref # 49091)	49091-0001	10
NUT,FLANGED,6MM (Ref # 92015)	92015-1367	1
COLLAR,L=12 (Ref # 92027)	92027-1062	2
DAMPER (Ref # 92075)	92075-277	2
BOLT,SOCKET,6X25 (Ref # 92154)	92154-0477	1
BOLT,BANJO,10X20.8 (Ref # 92154A)	92154-1121	1
BOLT,BANJO,10X32.3 (Ref # 92154B)	92154-1122	1
BOLT,BANJO,10X19 (Ref # 92154C)	92154-1554	1
BOLT,FLANGED,6X25 (Ref # 92154D)	92154-1849	1
BOLT,BANJO,10X19 (Ref # 92154E)	92154-4032	2
CLAMP (Ref # 92173)	92173-2182	1
CLAMP (Ref # 92173A)	92173-2183	1
BOLT-FLANGED,6X10 (Ref # 130)	130BA0610	1
BOLT-FLANGED,6X14 (Ref # 130A)	130BA0614	1
BOLT-FLANGED,6X25 (Ref # 130B)	130BA0625	1
BOLT-FLANGED,6X12 (Ref # 130C)	130BB0612	1
BOLT-FLANGED-SMALL,6X12 (Ref # 132)	132BB0612	1
WASHER-PLAIN,6MM (Ref # 411)	411AA0600	2