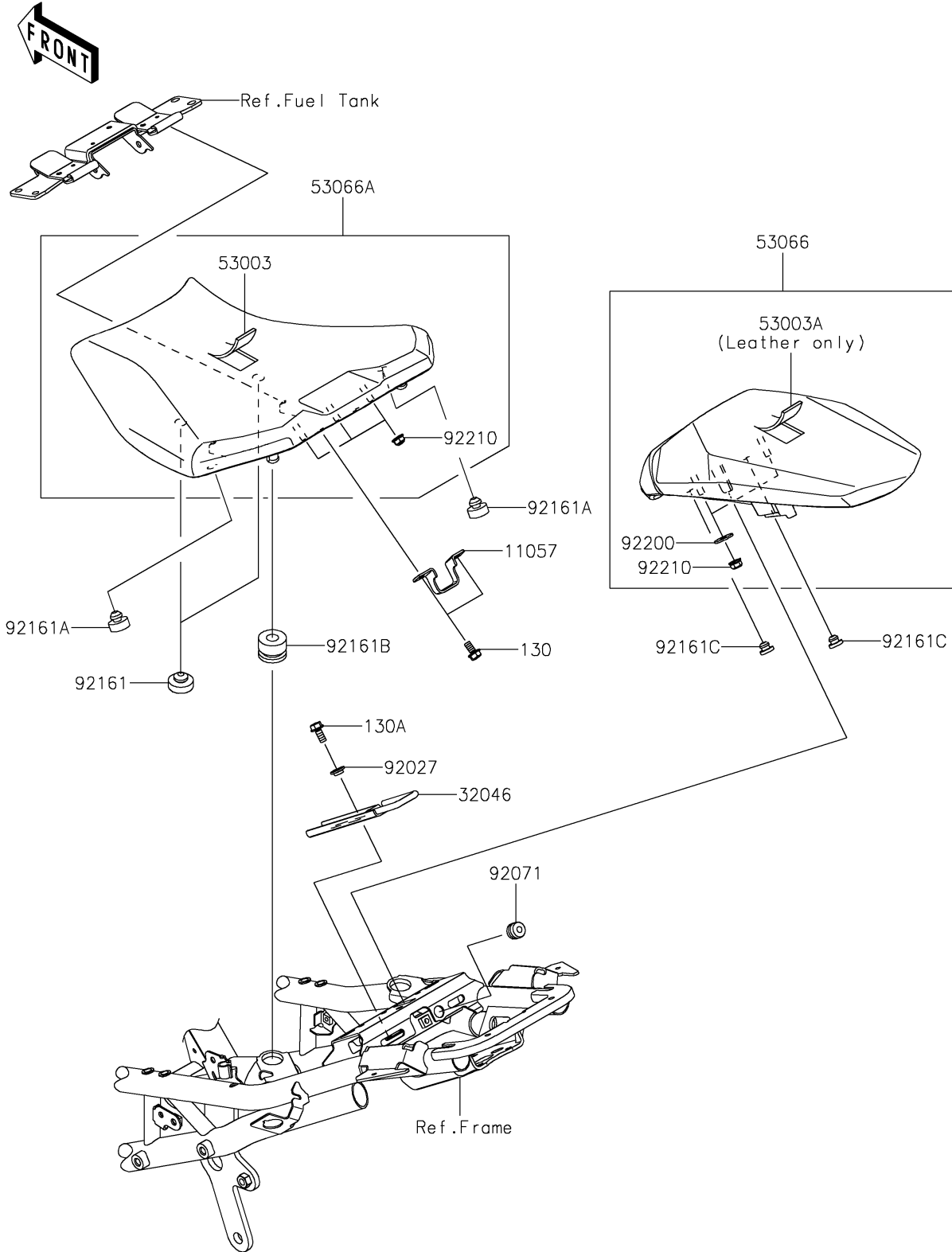


2025 Z H2 SE PARTS DIAGRAM

Seat

F2510



2025 Z H2 SE PARTS LIST

Seat

ITEM NAME	PART NUMBER	QUANTITY
BRACKET (Ref # 11057)	11057-2913	1
BRACKET-SEAT (Ref # 32046)	32046-0452	1
LEATHER,FR SEAT,BLACK+GRN (Ref # 53003)	53003-0543-64R	1
LEATHER,RR SEAT,BLACK+GRN+BLK (Ref # 53003A)	53003-0544-64S	1
SEAT-ASSY,RR,BLACK+GRN+BLK (Ref # 53066)	53066-0707-64S	1
SEAT-ASSY,FR,BLACK+GRN (Ref # 53066A)	53066-0824-64R	1
COLLAR,L=4.6 (Ref # 92027)	92027-1168	1
GROMMET (Ref # 92071)	92071-0038	1
DAMPER,SEAT,10X25X8 (Ref # 92161)	92161-0095	2
DAMPER,8X20X8 (Ref # 92161A)	92161-0223	2
DAMPER,SEAT (Ref # 92161B)	92161-2280	2
DAMPER (Ref # 92161C)	92161-2324	2
WASHER,6.5X20X1.6 (Ref # 92200)	92200-1569	2
NUT (Ref # 92210)	92210-0401	5
BOLT-FLANGED,6X12 (Ref # 130)	130CA0612	2
BOLT-FLANGED,6X14 (Ref # 130A)	130CA0614	1