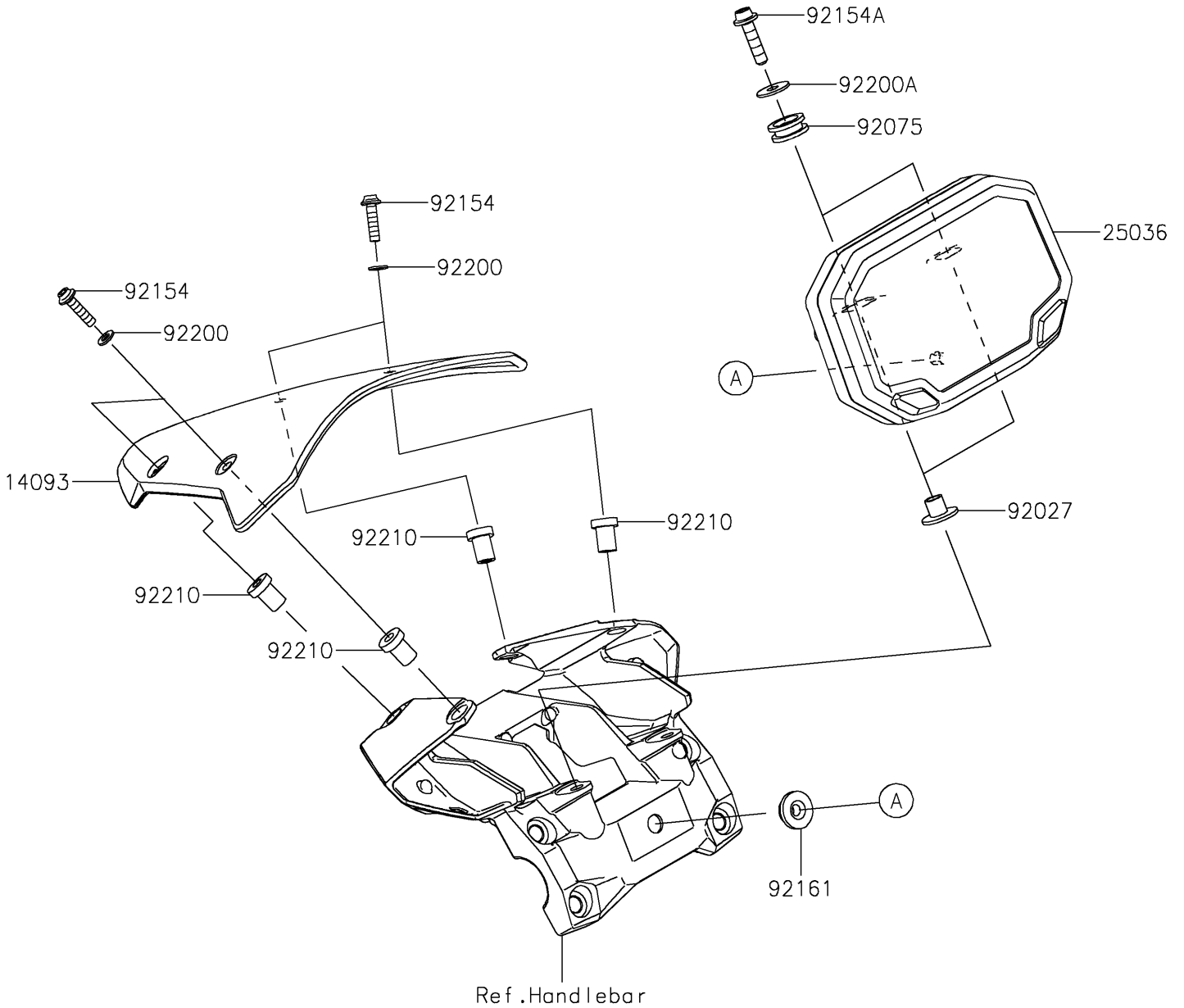


2022 Z H2 SE PARTS DIAGRAM

Meter(s)

F2530



2022 Z H2 SE PARTS LIST

Meter(s)

| ITEM NAME | PART NUMBER | QUANTITY |
|--------------------------------------|-------------|----------|
| COVER,METER (Ref # 14093) | 14093-0970 | 1 |
| METER-ASSY,TFT DISPLAY (Ref # 25036) | 25036-0054 | 1 |
| COLLAR,L=11.1 (Ref # 92027) | 92027-194 | 2 |
| DAMPER (Ref # 92075) | 92075-1634 | 2 |
| BOLT,SOCKET,5X20 (Ref # 92154) | 92154-0919 | 4 |
| BOLT,SOCKET,6X25 (Ref # 92154A) | 92154-2826 | 2 |
| DAMPER,6X20X7.5 (Ref # 92161) | 92161-1937 | 1 |
| WASHER,5.2X10X1.0 (Ref # 92200) | 92200-1820 | 4 |
| WASHER,6.2X18X1.2 (Ref # 92200A) | 92200-1889 | 2 |
| NUT,5MM (Ref # 92210) | 92210-0001 | 4 |