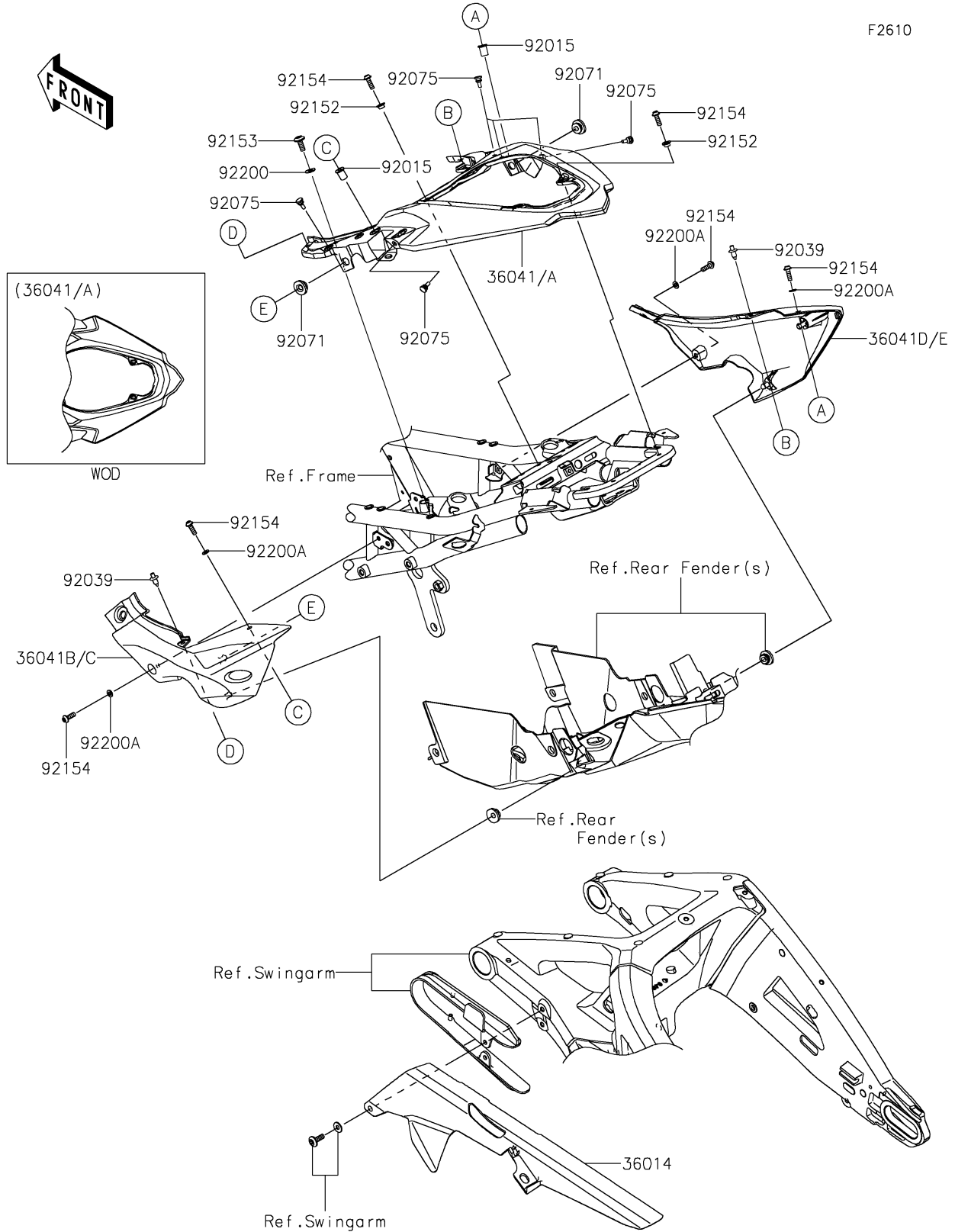


# 2022 Z H2 SE PARTS DIAGRAM

## Side Covers/Chain Cover

F2610



## 2022 Z H2 SE PARTS LIST

### Side Covers/Chain Cover

ITEM NAME	PART NUMBER	QUANTITY
CASE-CHAIN (Ref # 36014)	36014-0574	1
COVER-TAIL,CNT,G.B.GREEN (Ref # 36041)	36041-0057-40R	1
COVER-TAIL,LH,M.D.BLACK (Ref # 36041B)	36041-0058-17K	1
COVER-TAIL,RH,M.D.BLACK (Ref # 36041D)	36041-0059-17K	1
NUT,WELL,5MM (Ref # 92015)	92015-1757	2
RIVET (Ref # 92039)	92039-0068	2
GROMMET,20X24X7.5 (Ref # 92071)	92071-0766	2
DAMPER,6X10X15 (Ref # 92075)	92075-1808	8
COLLAR,5.6X8X5 (Ref # 92152)	92152-2339	4
BOLT,SOCKET,6X16 (Ref # 92153)	92153-1526	2
BOLT,SOCKET,5X16 (Ref # 92154)	92154-0209	8
WASHER,6.5X14X1 (Ref # 92200)	92200-1388	2
WASHER,5.2X10X1.0 (Ref # 92200A)	92200-1820	4