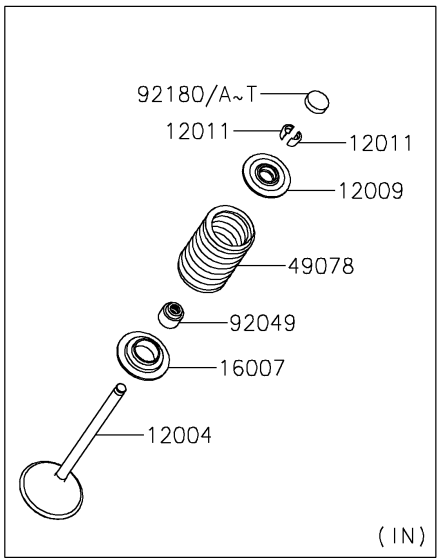
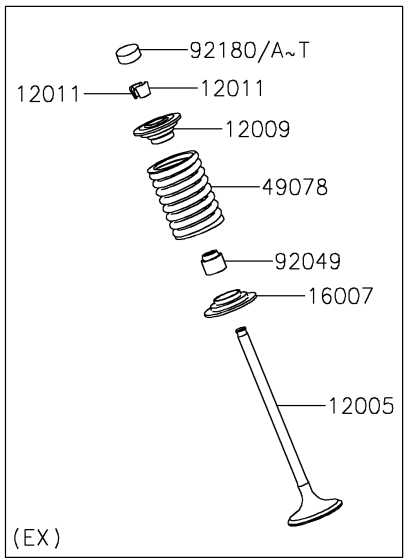
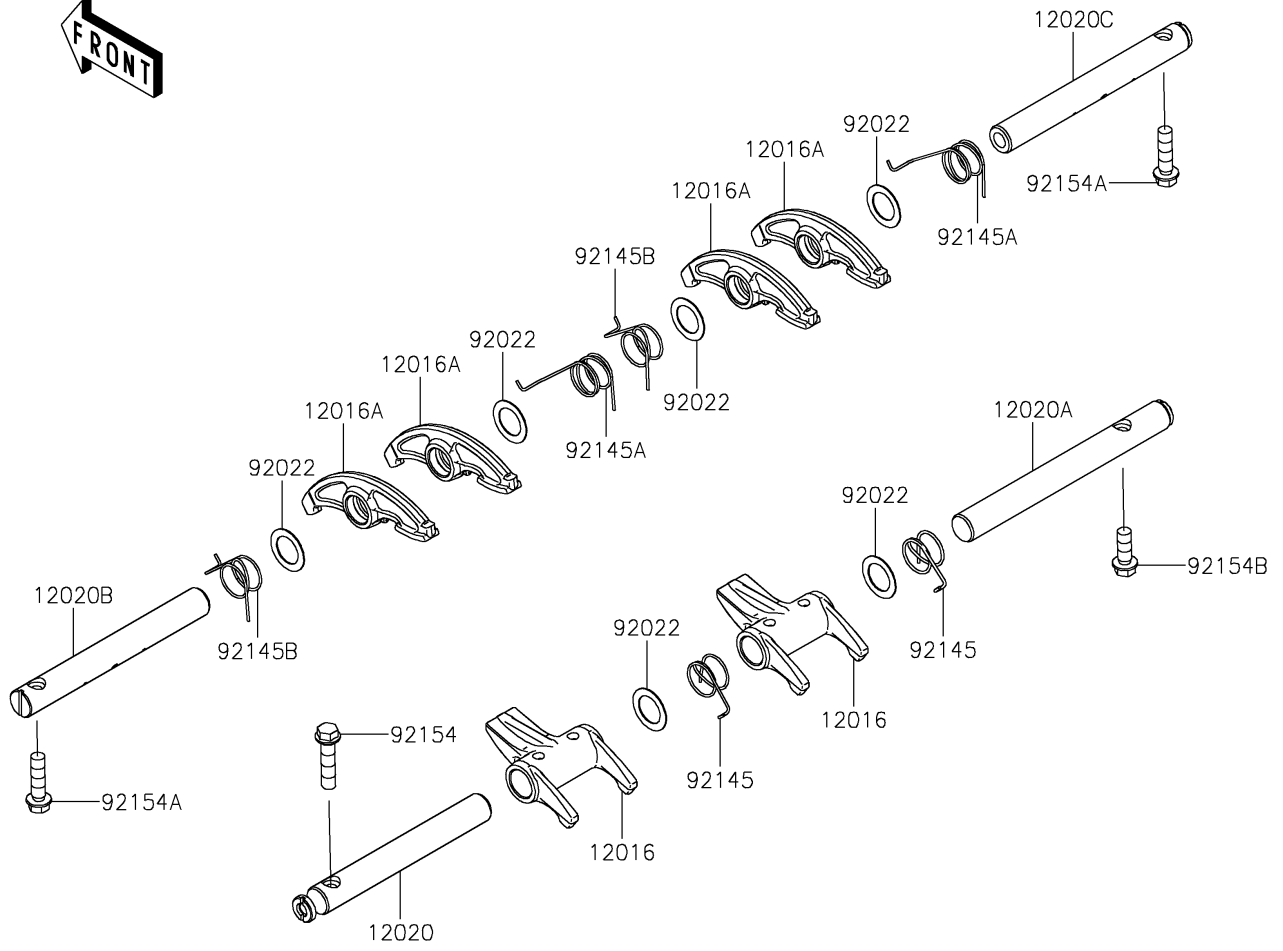


# 2025 W800 PARTS DIAGRAM

Valve(s)

E1210



## 2025 W800 PARTS LIST

Valve(s)

| ITEM NAME                                   | PART NUMBER | QUANTITY |
|---|-------------|----------|
| VALVE-INTAKE (Ref # 12004)                  | 12004-1138  | 4        |
| VALVE-EXHAUST (Ref # 12005)                 | 12005-1301  | 4        |
| RETAINER-VALVE SPRING (Ref # 12009)         | 12009-1069  | 8        |
| COLLET (Ref # 12011)                        | 12011-1053  | 16       |
| ARM-ROCKER,INTAKE (Ref # 12016)             | 12016-1116  | 2        |
| ARM-ROCKER,EXHAUST (Ref # 12016A)           | 12016-1117  | 4        |
| SHAFT-ROCKER,INTAKE,LH (Ref # 12020)        | 12020-1076  | 1        |
| SHAFT-ROCKER,INTAKE,RH (Ref # 12020A)       | 12020-1077  | 1        |
| SHAFT-ROCKER,EXHAUST,LH (Ref # 12020B)      | 12020-1078  | 1        |
| SHAFT-ROCKER,EXHAUST,RH (Ref # 12020C)      | 12020-1079  | 1        |
| SEAT-SPRING (Ref # 16007)                   | 16007-1163  | 8        |
| SPRING-ENGINE VALVE (Ref # 49078)           | 49078-1182  | 8        |
| WASHER,13.2X20X0.5 (Ref # 92022)            | 92022-1224  | 6        |
| SEAL-OIL,VS B 4.3 7.5 5.3 8.3 (Ref # 92049) | 92049-1349  | 8        |
| SPRING,ROCKER SHAFT,IN (Ref # 92145)        | 92145-1278  | 2        |
| SPRING,ROCKER SHAFT,EX,RH (Ref # 92145A)    | 92145-1279  | 2        |
| SPRING,ROCKER SHAFT,EX,LH (Ref # 92145B)    | 92145-1280  | 2        |
| BOLT,FLANGED,6X25 (Ref # 92154)             | 92154-0479  | 1        |
| BOLT,FLANGED,6X22 (Ref # 92154A)            | 92154-0480  | 2        |
| BOLT,FLANGED,6X16 (Ref # 92154B)            | 92154-0481  | 1        |
| SHIM,T=2.50 (Ref # 92180)                   | 92180-1014  | 8        |
| SHIM,T=2.55 (Ref # 92180A)                  | 92180-1016  | AR       |
| SHIM,T=2.60 (Ref # 92180B)                  | 92180-1018  | AR       |
| SHIM,T=2.65 (Ref # 92180C)                  | 92180-1020  | AR       |
| SHIM,T=2.70 (Ref # 92180D)                  | 92180-1022  | AR       |
| SHIM,T=2.75 (Ref # 92180E)                  | 92180-1024  | AR       |
| SHIM,T=2.80 (Ref # 92180F)                  | 92180-1026  | AR       |
| SHIM,T=2.85 (Ref # 92180G)                  | 92180-1028  | AR       |
| SHIM,T=2.90 (Ref # 92180H)                  | 92180-1030  | AR       |

## 2025 W800 PARTS LIST

Valve(s)

| ITEM NAME                  | PART NUMBER | QUANTITY |
|----------------------------|-------------|----------|
| SHIM,T=2.95 (Ref # 92180I) | 92180-1032  | AR       |
| SHIM,T=3.00 (Ref # 92180J) | 92180-1034  | AR       |
| SHIM,T=3.05 (Ref # 92180K) | 92180-1036  | AR       |
| SHIM,T=3.10 (Ref # 92180L) | 92180-1038  | AR       |
| SHIM,T=3.15 (Ref # 92180M) | 92180-1040  | AR       |
| SHIM,T=3.20 (Ref # 92180N) | 92180-1042  | AR       |
| SHIM,T=3.25 (Ref # 92180O) | 92180-1044  | AR       |
| SHIM,T=3.30 (Ref # 92180P) | 92180-1046  | AR       |
| SHIM,T=3.35 (Ref # 92180Q) | 92180-1048  | AR       |
| SHIM,T=3.40 (Ref # 92180R) | 92180-1050  | AR       |
| SHIM,T=3.45 (Ref # 92180S) | 92180-1052  | AR       |
| SHIM,T=3.50 (Ref # 92180T) | 92180-1054  | AR       |