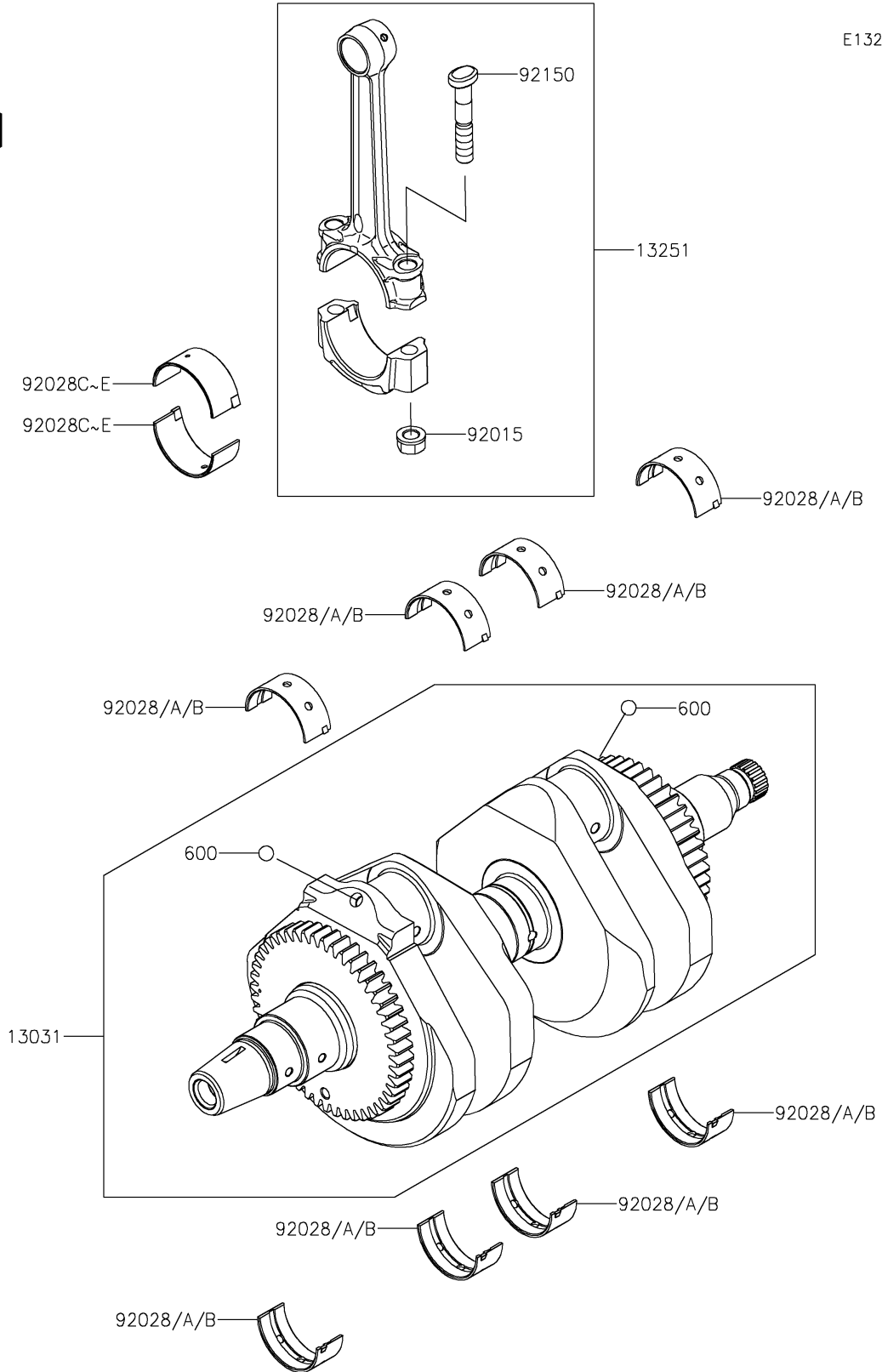


# 2022 W800 PARTS DIAGRAM

Crankshaft



E1321



## 2022 W800 PARTS LIST

### Crankshaft

| ITEM NAME                                   | PART NUMBER   | QUANTITY |
|---|---------------|----------|
| CRANKSHAFT-COMP (Ref # 13031)               | 13031-0972    | 1        |
| ROD-ASSY-CONNECTING,J (Ref # 13251)         | 13251-1123-JJ | 2        |
| NUT,FLANGED,8MM (Ref # 92015)               | 92015-1311    | 4        |
| BUSHING,CRANKSHAFT,BLUE (Ref # 92028)       | 92028-1903    | 8        |
| BUSHING,CRANKSHAFT,BLACK (Ref # 92028A)     | 92028-1904    | AR       |
| BUSHING,CRANKSHAFT,BROWN (Ref # 92028B)     | 92028-1905    | AR       |
| BUSHING,CONNECTING ROD,BLUE (Ref # 92028C)  | 92028-1906    | 4        |
| BUSHING,CONNECTING ROD,BLACK (Ref # 92028D) | 92028-1907    | AR       |
| BUSHING,CONNECTING ROD,BROWN (Ref # 92028E) | 92028-1908    | AR       |
| BOLT,CONNECTING ROD,8MM (Ref # 92150)       | 92150-1216    | 4        |
| BALL-STEEL,9/32 (Ref # 600)                 | 600A0900      | 2        |