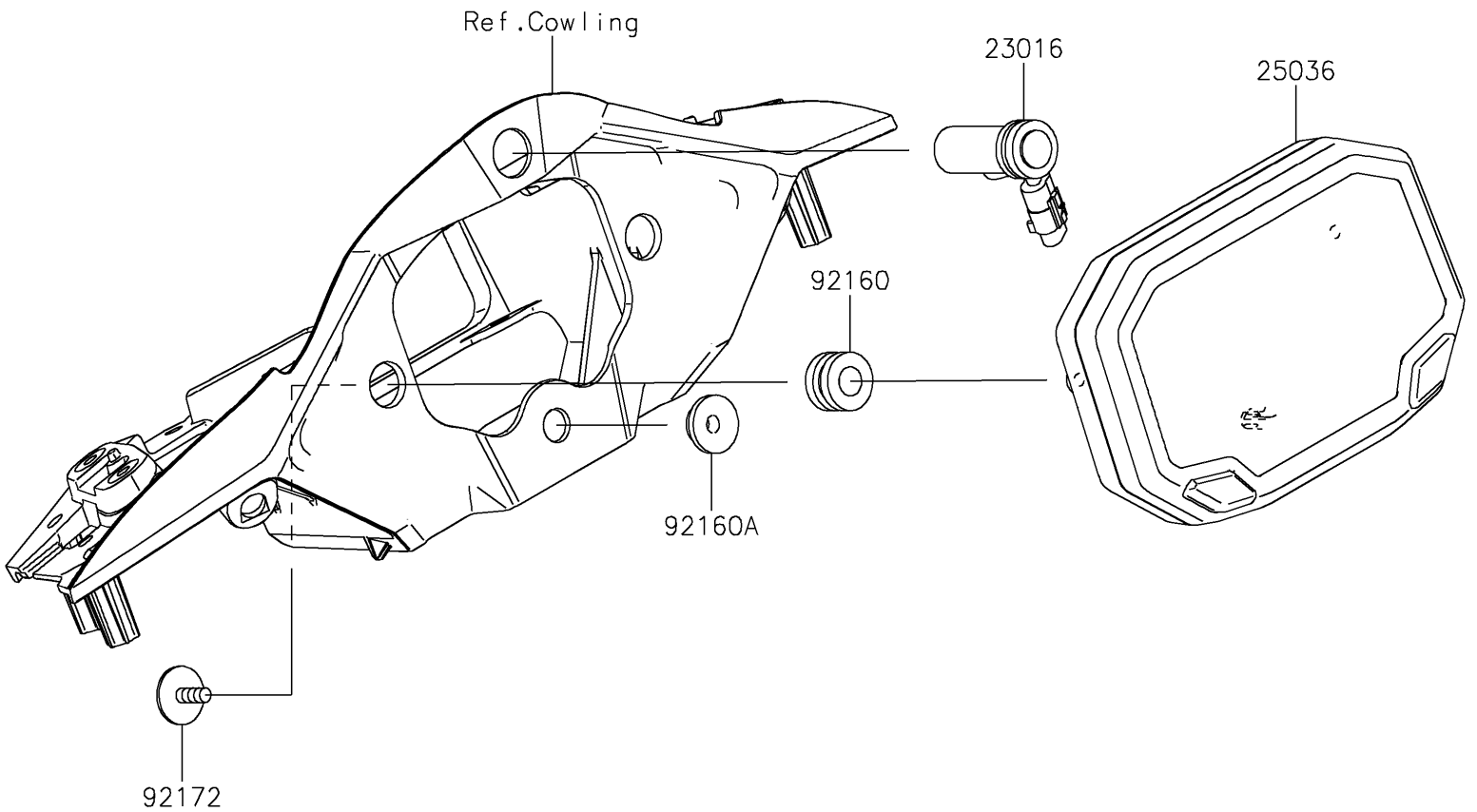


2022 NINJA® ZX™ -10R PARTS DIAGRAM

Meter(s)

F2530



2022 NINJA® ZX™ -10R PARTS LIST

Meter(s)

ITEM NAME	PART NUMBER	QUANTITY
-----------	-------------	----------