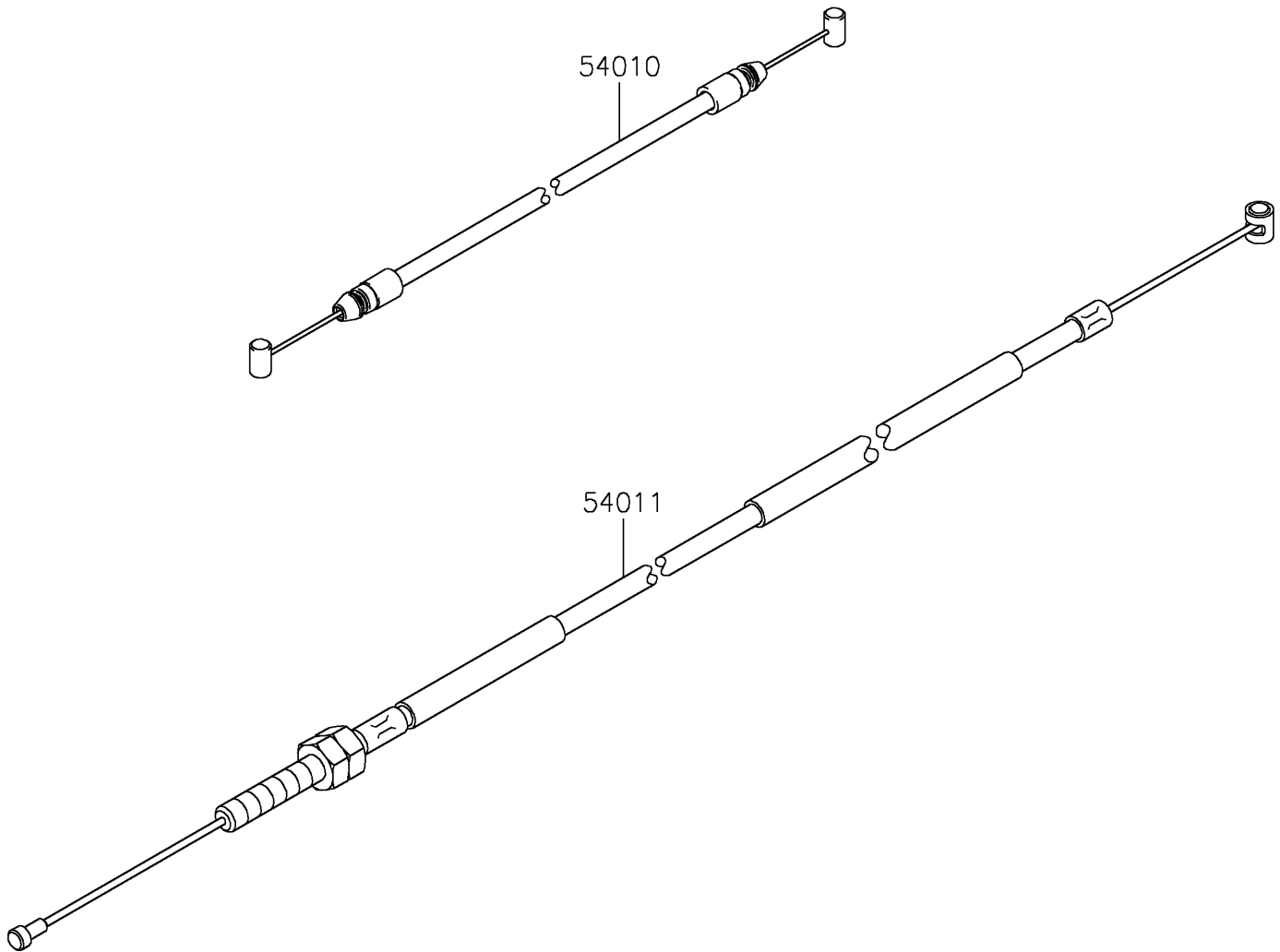


2023 Ninja[®] ZX-10R PARTS DIAGRAM

Cables

F2540



2023 Ninja® ZX-10R PARTS LIST

Cables

ITEM NAME	PART NUMBER	QUANTITY
CABLE,SEAT LOCK (Ref # 54010)	54010-0029	1
CABLE-CLUTCH (Ref # 54011)	54011-0658	1