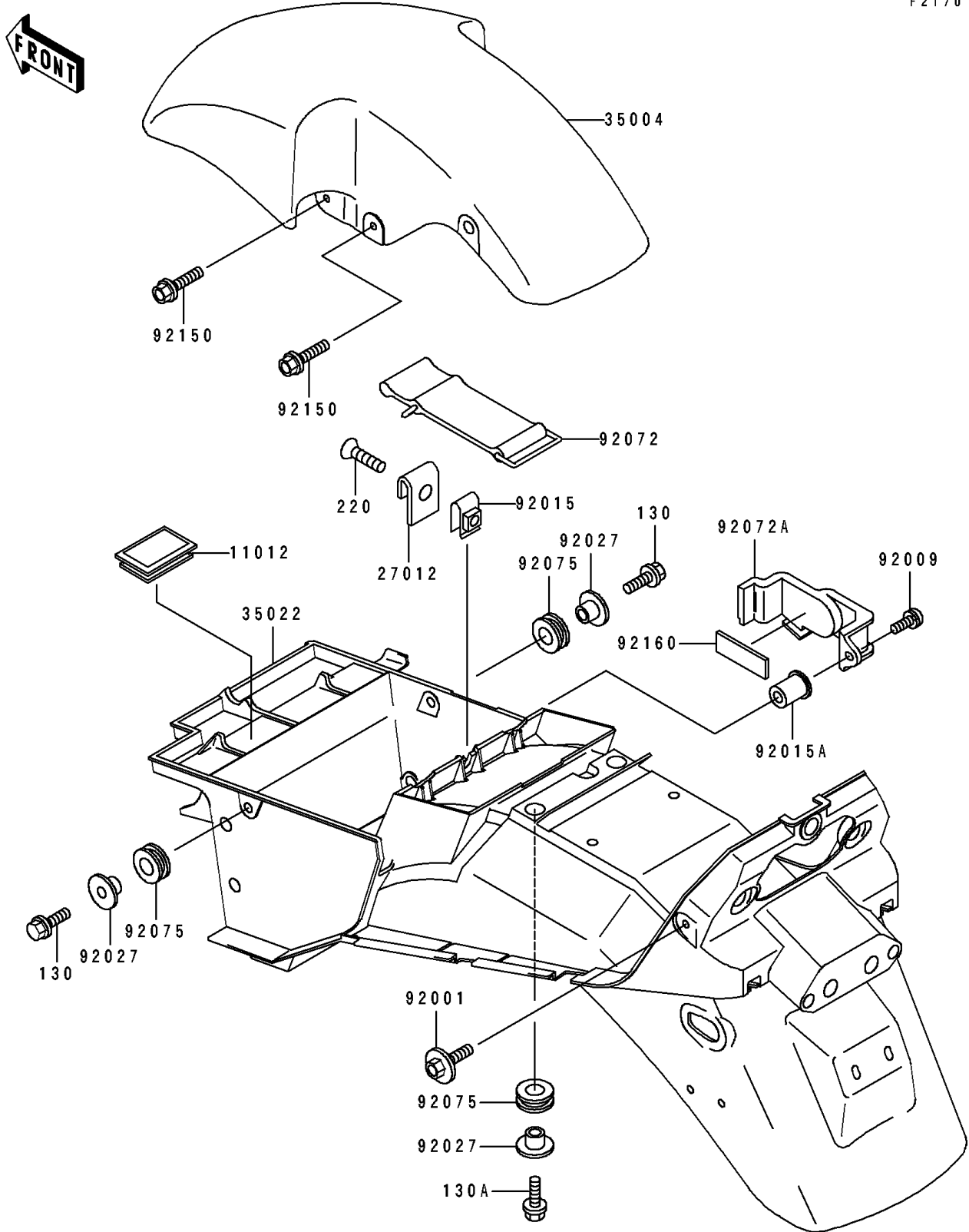


# 1996 GPZ 1100 ABS PARTS DIAGRAM

Fenders

F2170



# 1996 GPZ 1100 ABS PARTS LIST

## Fenders

ITEM NAME	PART NUMBER	QUANTITY
CAP,TERMINAL,BATTERY(+) (Ref # 11012)	11012-1939	1
HOOK,BATTERY CASE (Ref # 27012)	27012-1316	1
FENDER-FRONT,P.G.BLACK (Ref # 35004)	35004-1328-RL	1
FENDER-COMP-REAR (Ref # 35022)	35022-1309	1
BOLT,6X14,BLACK (Ref # 92001)	92001-1847	2
SCREW,6X18 (Ref # 92009)	92009-1663	1
NUT,CLAMP,6MM (Ref # 92015)	92015-1678	1
NUT (Ref # 92015A)	92015-1700	1
COLLAR,L=9.1,BLACK (Ref # 92027)	92027-1935	4
BAND (Ref # 92072)	92072-1176	1
BAND,BATTERY (Ref # 92072A)	92072-1318	1
DAMPER (Ref # 92075)	92075-1634	4
BOLT,6X16 (Ref # 92150)	92150-1909	4
DAMPER (Ref # 92160)	92160-1075	1
BOLT-FLANGED,6X16,BLACK (Ref # 130)	130J0616	2
BOLT-FLANGED,6X18 (Ref # 130A)	130J0618	2
SCREW-PAN-CROS,6X12 (Ref # 220)	220C0612	1