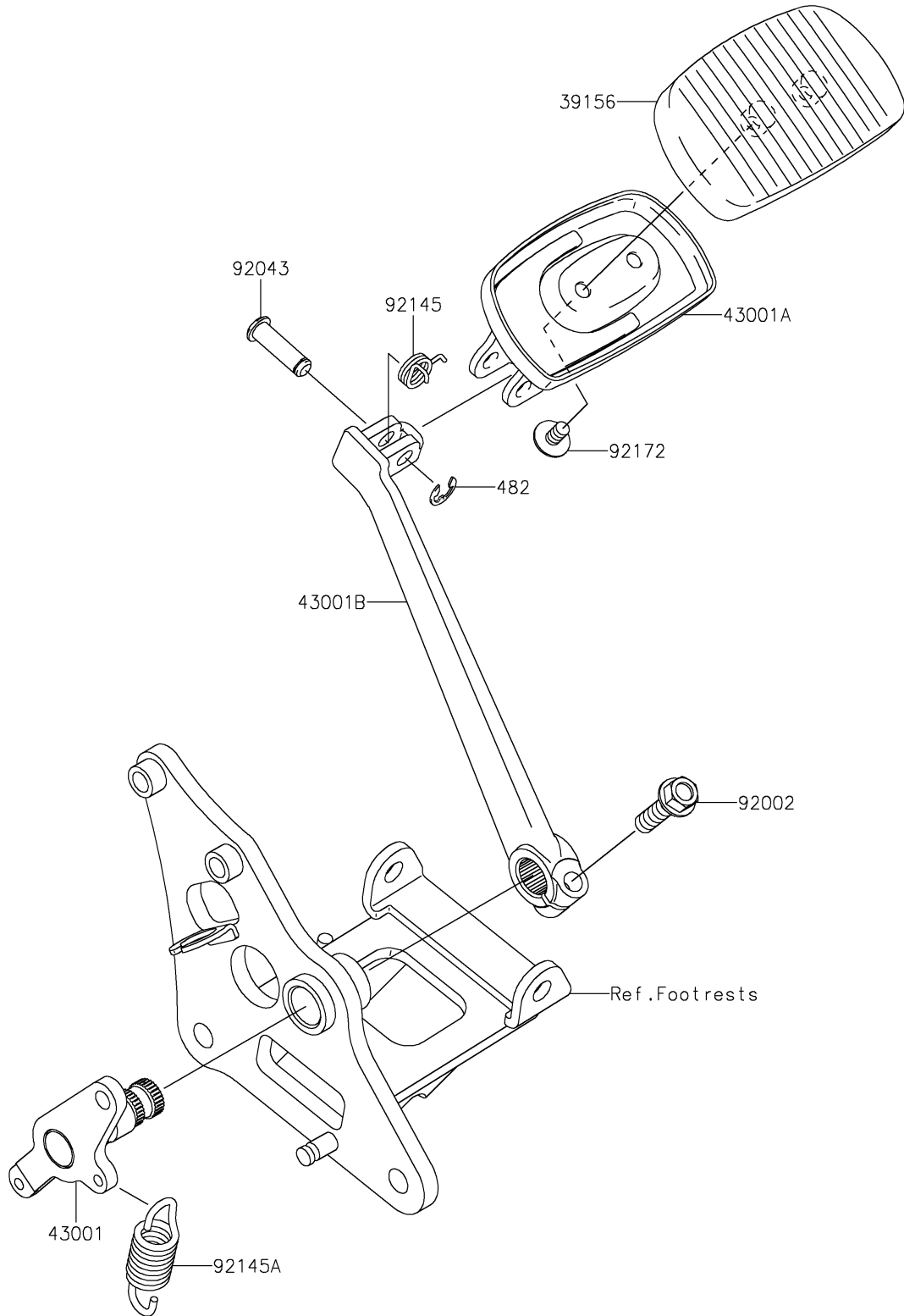


# 2023 Vulcan® 900 Classic PARTS DIAGRAM

Brake Pedal/Torque Link

F2260



## 2023 Vulcan® 900 Classic PARTS LIST

### Brake Pedal/Torque Link

| ITEM NAME                                | PART NUMBER | QUANTITY |
|--|-------------|----------|
| PAD,BRAKE PEDAL (Ref # 39156)            | 39156-0045  | 1        |
| LEVER-BRAKE (Ref # 43001)                | 43001-0057  | 1        |
| LEVER-BRAKE (Ref # 43001A)               | 43001-0709  | 1        |
| LEVER-BRAKE,PEDAL (Ref # 43001B)         | 43001-0715  | 1        |
| BOLT,FLANGED,8X25 (Ref # 92002)          | 92002-1201  | 1        |
| PIN,8X24.5 (Ref # 92043)                 | 92043-0047  | 1        |
| SPRING (Ref # 92145)                     | 92145-0168  | 1        |
| SPRING,BRAKE PEDAL RETURN (Ref # 92145A) | 92145-0191  | 1        |
| SCREW,6X10 (Ref # 92172)                 | 92172-0098  | 2        |
| CIRCLIP-TYPE-E (Ref # 482)               | 482EA7000   | 1        |