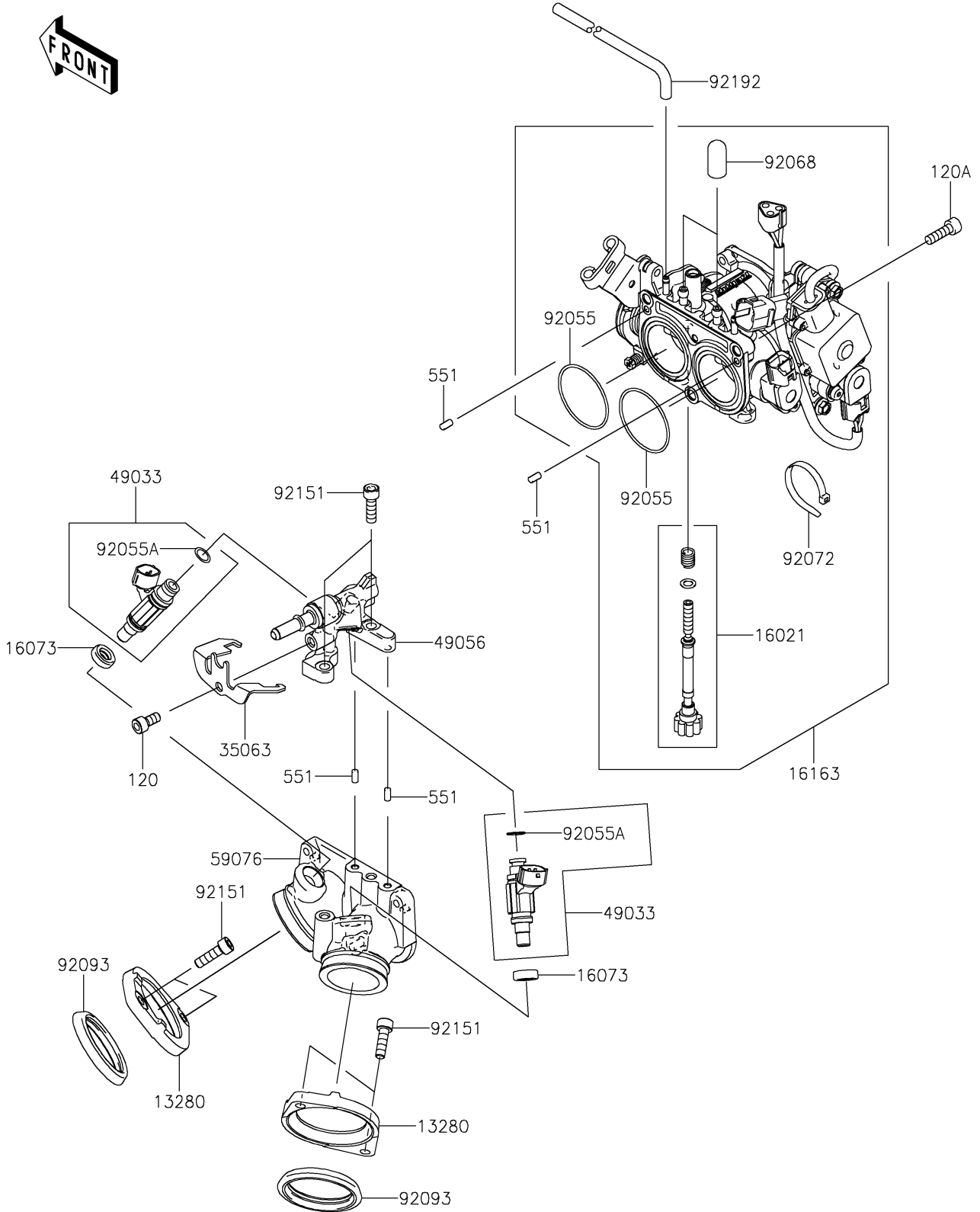


2025 Vulcan 900 Custom PARTS DIAGRAM

Throttle

E1510



2025 Vulcan 900 Custom PARTS LIST

Throttle

| ITEM NAME | PART NUMBER | QUANTITY |
|--|-------------|----------|
| HOLDER (Ref # 13280) | 13280-1154 | 2 |
| SCREW-THROTTLE STOP (Ref # 16021) | 16021-0016 | 1 |
| INSULATOR (Ref # 16073) | 16073-3707 | 2 |
| THROTTLE-ASSY,TTK34 (Ref # 16163) | 16163-0114 | 1 |
| STAY (Ref # 35063) | 35063-0240 | 1 |
| NOZZLE-INJECTION (Ref # 49033) | 49033-0011 | 2 |
| PIPE-INJECTION (Ref # 49056) | 49056-0018 | 1 |
| MANIFOLD-INTAKE (Ref # 59076) | 59076-0003 | 1 |
| RING-O (Ref # 92055) | 92055-0118 | 2 |
| RING-O,INJECTION NOZZLE (Ref # 92055A) | 92055-1622 | 2 |
| PLUG,12X25 (Ref # 92068) | 92068-006 | 2 |
| BAND,SUB-HARNESS (Ref # 92072) | 92072-0012 | 1 |
| SEAL (Ref # 92093) | 92093-0072 | 2 |
| BOLT,SOCKET,6X20 (Ref # 92151) | 92151-3774 | 6 |
| TUBE,SENSOR-THROBO (Ref # 92192) | 92192-0308 | 1 |
| BOLT-SOCKET,6X12 (Ref # 120) | 120CA0612 | 1 |
| BOLT-SOCKET,6X20 (Ref # 120A) | 120CA0620 | 3 |
| PIN-DOWEL (Ref # 551) | 551R0408 | 4 |