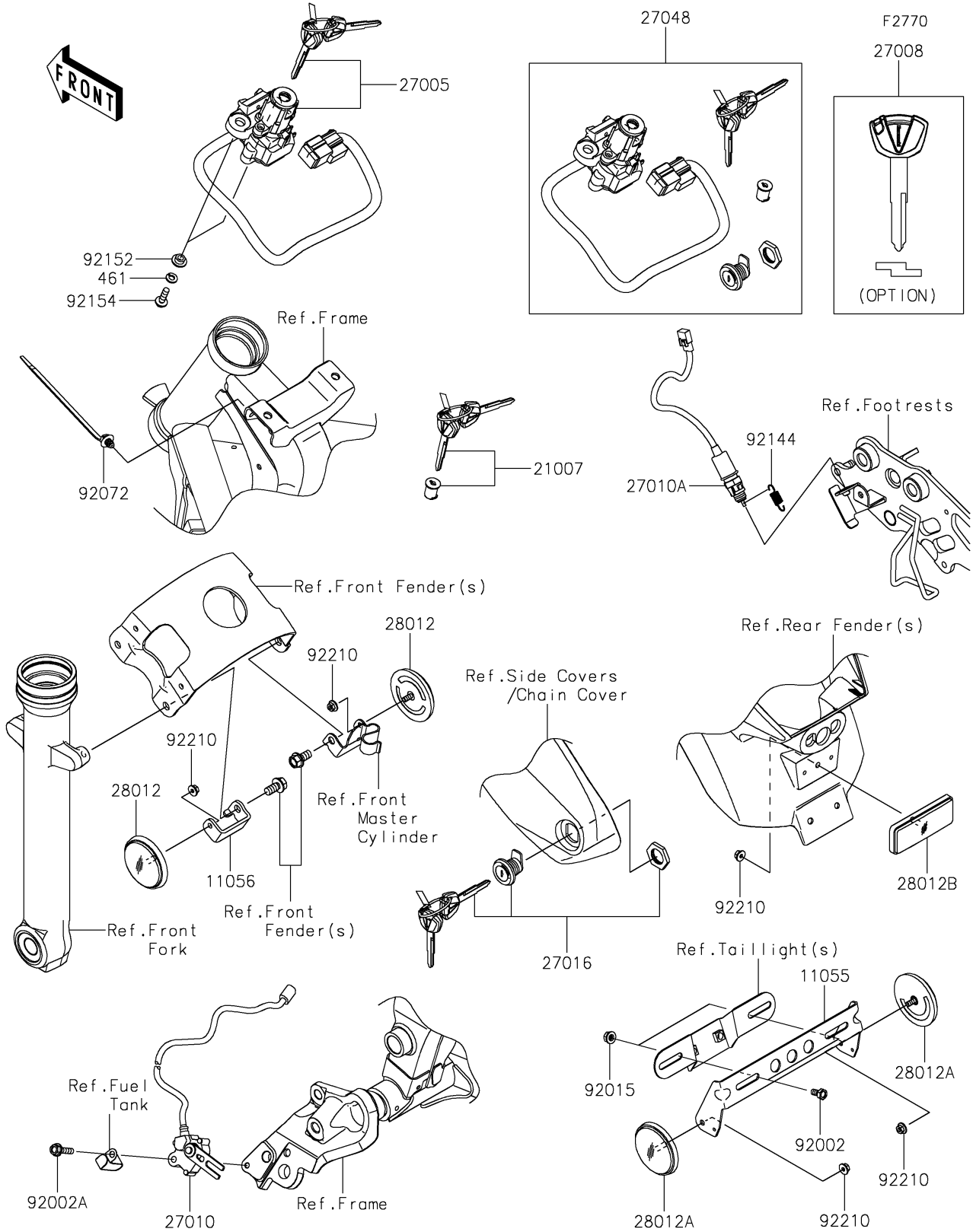


2023 VULCAN® S PARTS DIAGRAM

Ignition Switch/Locks/Reflectors



2023 VULCAN® S PARTS LIST

Ignition Switch/Locks/Reflectors

| ITEM NAME | PART NUMBER | QUANTITY |
|--|-------------|----------|
| BRACKET,REFLECTOR (Ref # 11055) | 11055-1092 | 1 |
| BRACKET,REFLECTOR,LH (Ref # 11056) | 11056-7698 | 1 |
| ROTOR,LOCK,TANK CAP (Ref # 21007) | 21007-5077 | 1 |
| SWITCH-ASSY-IGNITION (Ref # 27005) | 27005-0595 | 1 |
| KEY-LOCK,BLANK (Ref # 27008) | 27008-0596 | 1 |
| SWITCH,SIDE STAND (Ref # 27010) | 27010-0722 | 1 |
| SWITCH,RR BRAKE (Ref # 27010A) | 27010-0760 | 1 |
| LOCK-ASSY (Ref # 27016) | 27016-5387 | 1 |
| SWITCH-ASSY (Ref # 27048) | 27048-5053 | 1 |
| REFLECTOR-REFLEX,FR,SIDE (Ref # 28012) | 28012-0001 | 2 |
| REFLECTOR-REFLEX (Ref # 28012A) | 28012-0002 | 2 |
| REFLECTOR-REFLEX (Ref # 28012B) | 28012-1077 | 1 |
| BOLT,6X12 (Ref # 92002) | 92002-1132 | 2 |
| BOLT,FLANGED,6X25 (Ref # 92002A) | 92002-1582 | 1 |
| NUT,FLANGED,6MM (Ref # 92015) | 92015-1367 | 2 |
| BAND,OS170-FT7(BLACK) (Ref # 92072) | 92072-1414 | 1 |
| SPRING,REAR BRAKE SWITCH (Ref # 92144) | 92144-1141 | 1 |
| COLLAR,6.15X10.15X6 (Ref # 92152) | 92152-1535 | 2 |
| BOLT,FLANGED,6X20 (Ref # 92154) | 92154-0107 | 2 |
| NUT,FLANGED,5MM (Ref # 92210) | 92210-0007 | 5 |
| WASHER-SPRING,6MM (Ref # 461) | 461DA0600 | 2 |