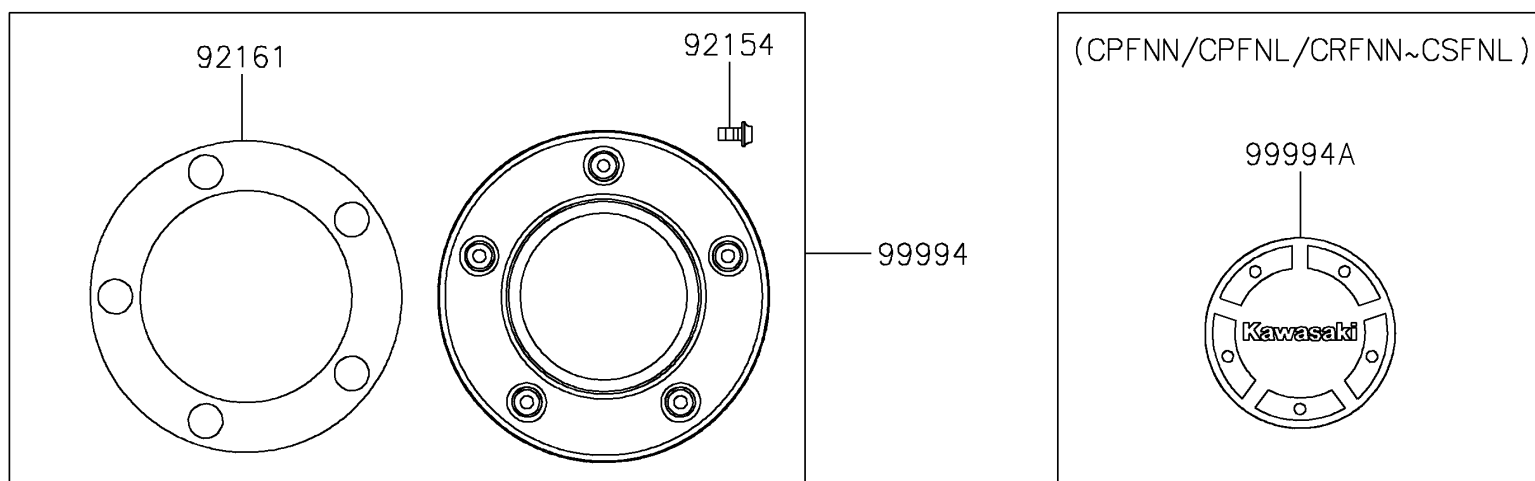


2023 Vulcan S PARTS DIAGRAM

Accessory(Decals)

F2910G



2023 Vulcan S PARTS LIST

Accessory(Decals)

ITEM NAME	PART NUMBER	QUANTITY
BOLT,SOCKET,5X10 (Ref # 92154)	92154-1691	5
DAMPER (Ref # 92161)	92161-1767	1
KIT-ACCESSORY,MARK,PLATING (Ref # 99994)	99994-0580	1
KIT-ACCESSORY,MARK,KAWASAKI (Ref # 99994A)	99994-0600	1