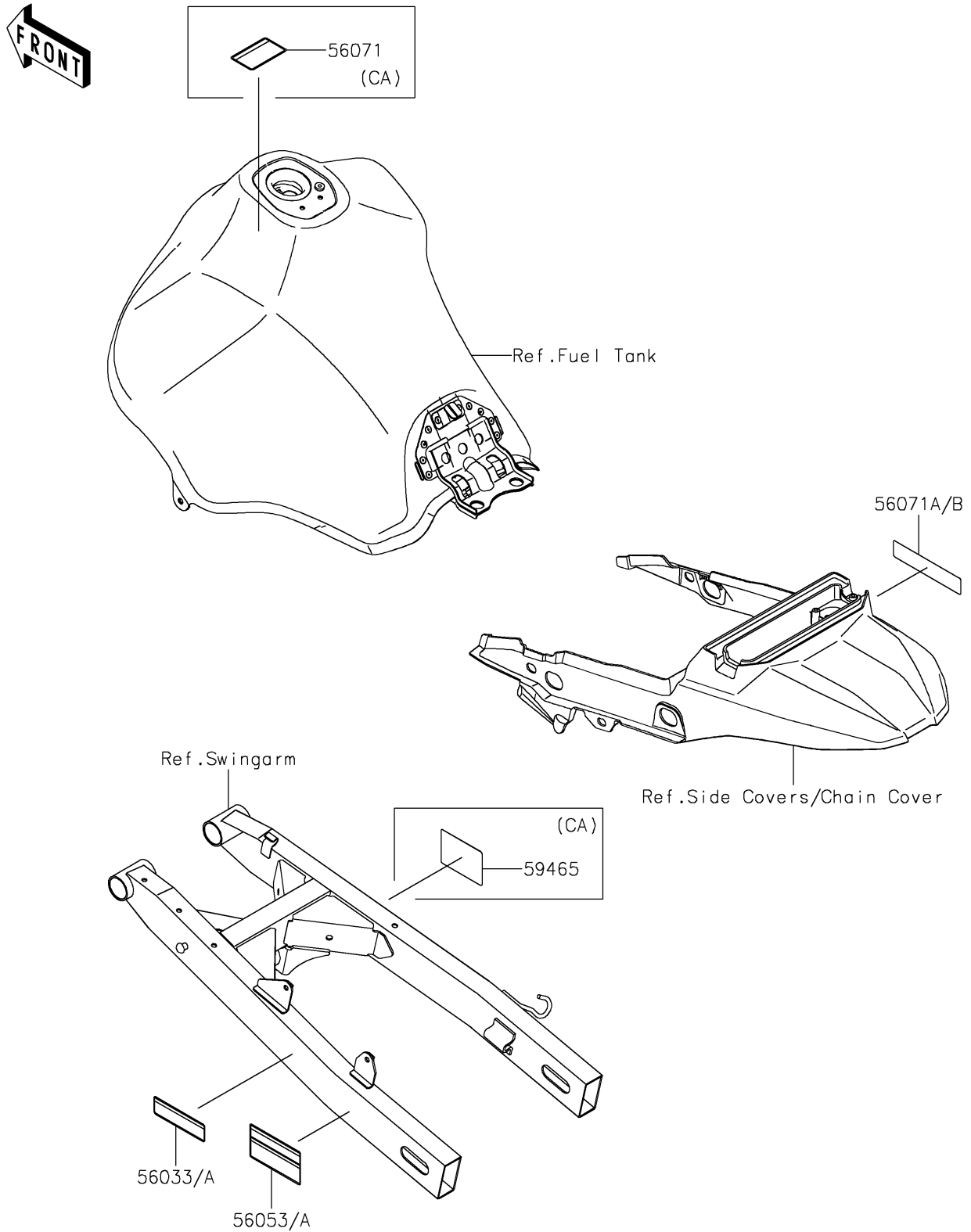


2025 KLR650 S ABS PARTS DIAGRAM

Labels

F2860



2025 KLR650 S ABS PARTS LIST

Labels

ITEM NAME	PART NUMBER	QUANTITY
LABEL-MANUAL,CHAIN (Ref # 56033)	56033-1478	1
LABEL-SPECIFICATION,TIRE&LOAD (Ref # 56053)	56053-1837	1
LABEL-WARNING,EVAPO (Ref # 56071)	56071-0158	1
LABEL-WARNING,CARRIER LOADING (Ref # 56071A)	56071-1044	1
LABEL-CERTIFICATION,EVAPO (Ref # 59465)	59465-7733	1