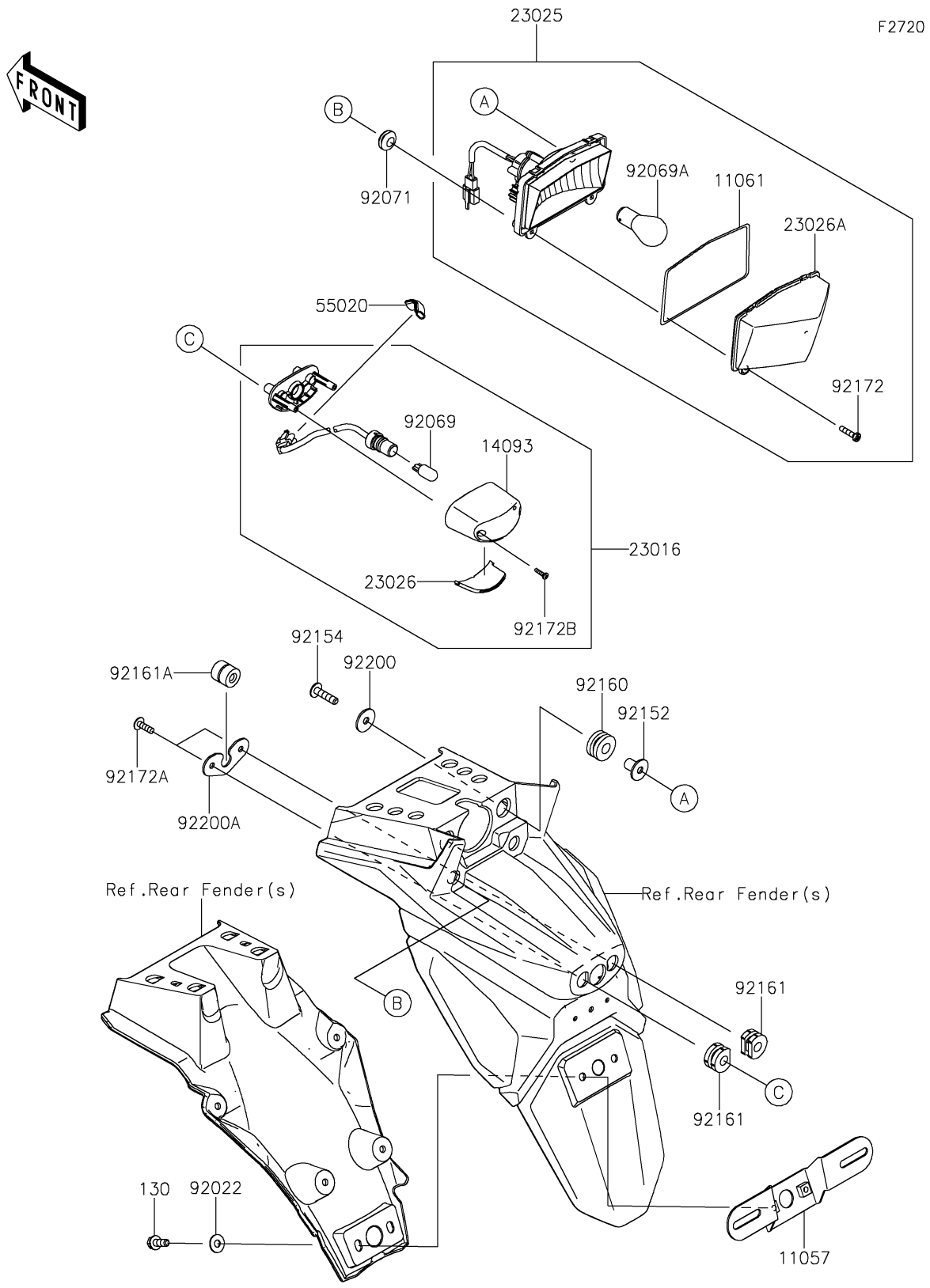


2024 KLR650 S PARTS DIAGRAM

Taillight(s)



2024 KLR650 S PARTS LIST

Taillight(s)

| ITEM NAME | PART NUMBER | QUANTITY |
|-------------------------------------|-------------|----------|
| BRACKET,LICENSE PLATE (Ref # 11057) | 11057-1046 | 1 |
| GASKET,TAIL LAMP LENS (Ref # 11061) | 11061-0393 | 1 |
| COVER,LICENSE LAMP (Ref # 14093) | 14093-0525 | 1 |
| LAMP-ASSY,LICENCE (Ref # 23016) | 23016-0604 | 1 |
| LAMP-TAIL (Ref # 23025) | 23025-0392 | 1 |
| LENS,LICENSE LAMP (Ref # 23026) | 23026-0025 | 1 |
| LENS,TAIL LAMP (Ref # 23026A) | 23026-0036 | 1 |
| GUARD,50X30 (Ref # 55020) | 55020-2334 | 1 |
| WASHER,6.5X16X1.0 (Ref # 92022) | 92022-1093 | 2 |
| BULB,12V 5W (Ref # 92069) | 92069-1016 | 1 |
| BULB,12V 21/5W (Ref # 92069A) | 92069-1084 | 1 |
| GROMMET (Ref # 92071) | 92071-024 | 2 |
| COLLAR,6.3X9.5X13.5 (Ref # 92152) | 92152-1942 | 2 |
| BOLT,SOCKET,6X25 (Ref # 92154) | 92154-0071 | 2 |
| DAMPER (Ref # 92160) | 92160-1162 | 2 |
| DAMPER (Ref # 92161) | 92161-0776 | 2 |
| DAMPER,6X18X18.2 (Ref # 92161A) | 92161-1809 | 1 |
| SCREW,4.2X19 (Ref # 92172) | 92172-0411 | 2 |
| SCREW,TAPPING,5X16 (Ref # 92172A) | 92172-0427 | 2 |
| SCREW,4X12 (Ref # 92172B) | 92172-0904 | 2 |
| WASHER,6.5X22X1.6 (Ref # 92200) | 92200-1087 | 2 |
| WASHER (Ref # 92200A) | 92200-1773 | 1 |
| BOLT-FLANGED,6X16 (Ref # 130) | 130BA0616 | 2 |