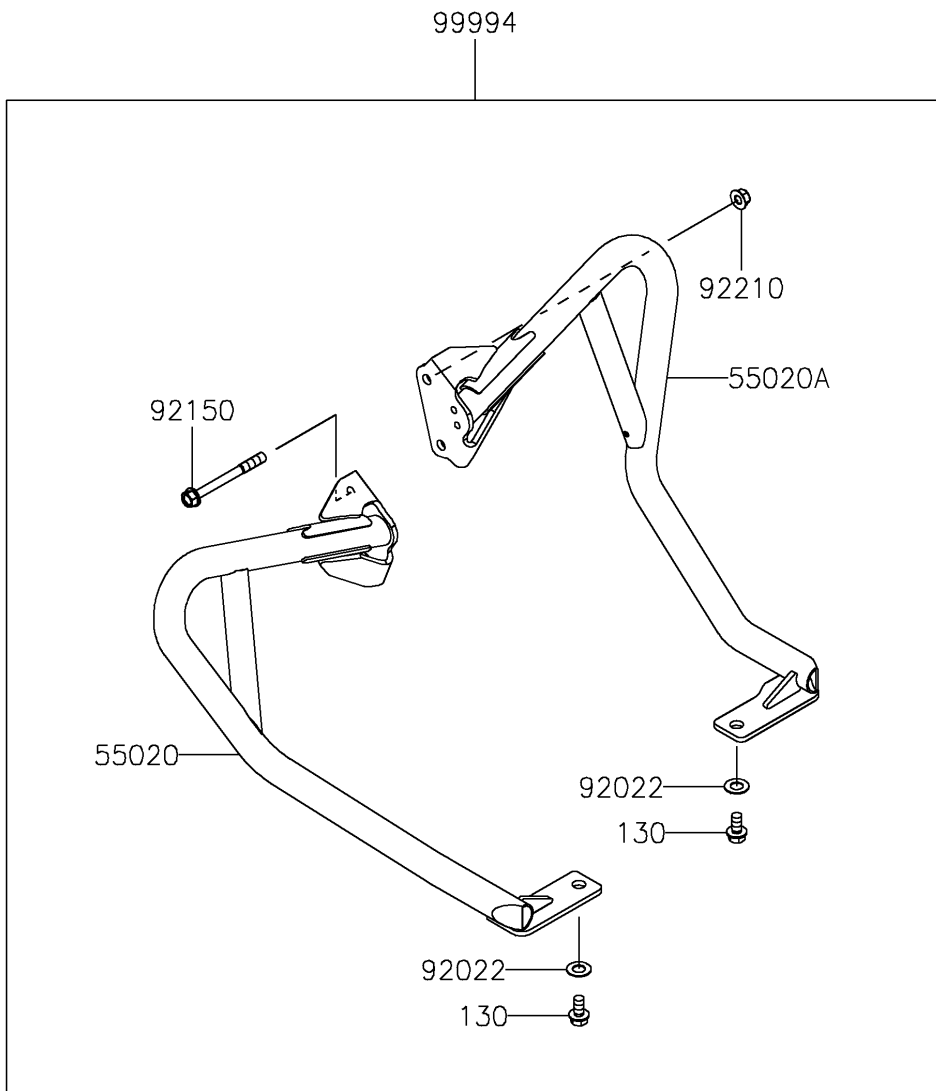


2023 KLR® 650 S PARTS DIAGRAM

Accessory(Frame Slider)

F2910



2023 KLR® 650 S PARTS LIST

Accessory(Frame Slider)

| ITEM NAME | PART NUMBER | QUANTITY |
|-----------|-------------|----------|
|-----------|-------------|----------|