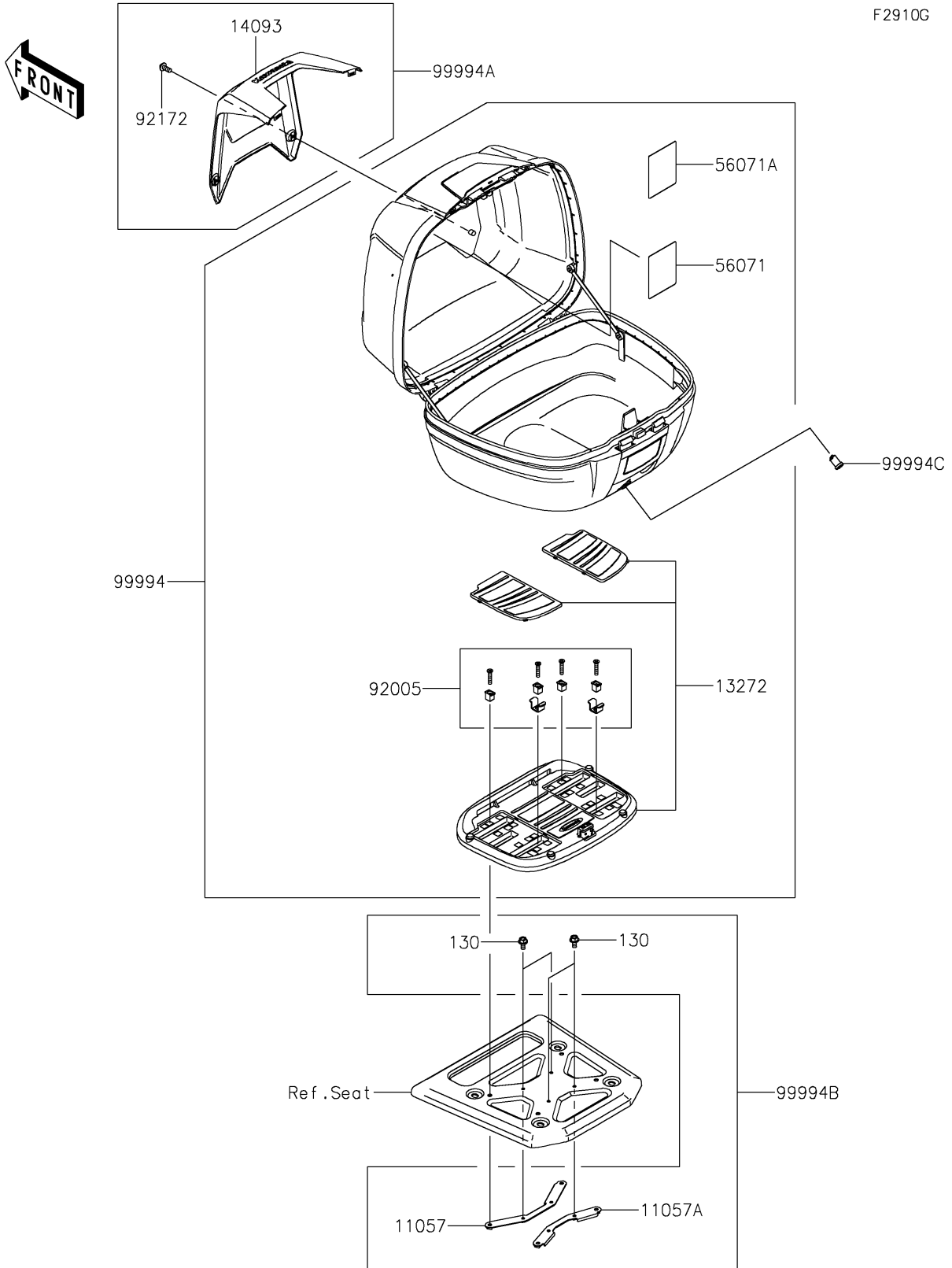


2023 KLR[®] 650 S PARTS DIAGRAM

Accessory(Topcase)

F2910G



2023 KLR® 650 S PARTS LIST

Accessory(Topcase)

ITEM NAME	PART NUMBER	QUANTITY
-----------	-------------	----------