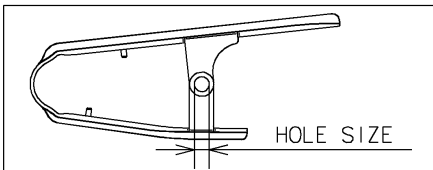
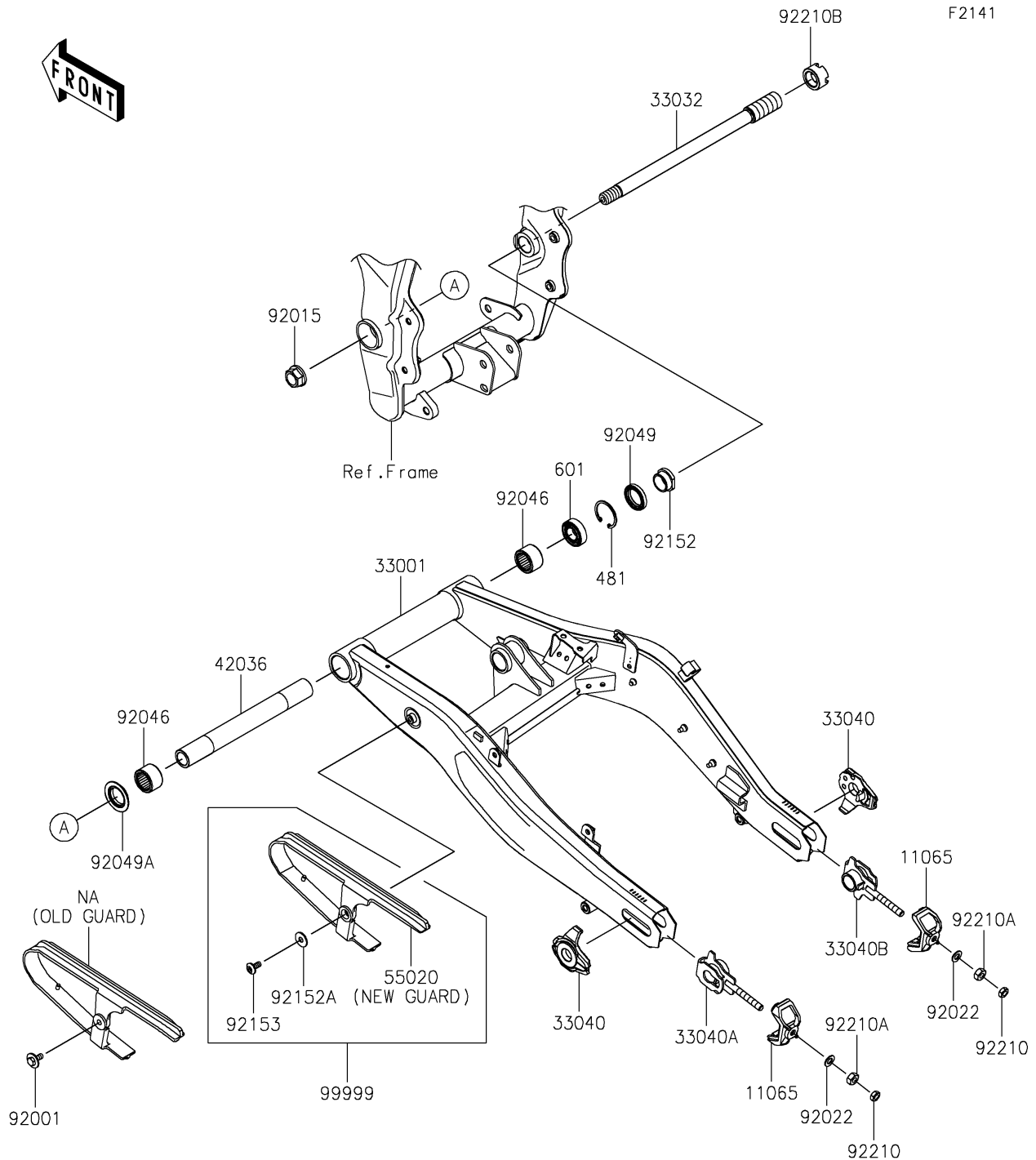


2023 Ninja ZX-4R ABS PARTS DIAGRAM

Swingarm(PPFNN/PRFNN/PRFNL)



HOLE SIZE	GUARD	BOLT	COLLAR
7mm (OLD GUARD)	99999 (NEW GUARD KIT)	92001 (ONLY FOR OLD GUARD)	NONE
13mm (NEW GUARD)	55020	92153 (ONLY FOR NEW GUARD)	92152A

2023 Ninja ZX-4R ABS PARTS LIST

Swingarm(PPFNN/PRFNN/PRFNL)

ITEM NAME	PART NUMBER	QUANTITY
CAP,CHAIN ADJUSTER,F.S.BLACK (Ref # 11065)	11065-1329-18R	2
ARM-COMP-SWING,F.S.BLACK (Ref # 33001)	33001-0765-18R	1
SHAFT-SWING ARM (Ref # 33032)	33032-0062	1
ADJUSTER-CHAIN,F.S.BLACK (Ref # 33040)	33040-0096-18R	2
ADJUSTER-CHAIN,LH (Ref # 33040A)	33040-0102	1
ADJUSTER-CHAIN,RH (Ref # 33040B)	33040-0103	1
SLEEVE,17.5X25X224 (Ref # 42036)	42036-0866	1
GUARD,CHAIN (Ref # 55020)	55020-2359	1
BOLT,6X16 (Ref # 92001)	92001-1950	1
NUT,FLANGED,16MM (Ref # 92015)	92015-1946	1
WASHER,8.5X16X1.2 (Ref # 92022)	92022-1582	2
BEARING-NEEDLE,BM2520 (Ref # 92046)	92046-1228	2
SEAL-OIL (Ref # 92049)	92049-0827	1
SEAL-OIL,MF025N1 (Ref # 92049A)	92049-1426	1
COLLAR (Ref # 92152)	92152-2874	1
COLLAR (Ref # 92152A)	92152-3814	1
BOLT,SOCKET,6X14 (Ref # 92153)	92153-1361	1
NUT,8MM (Ref # 92210)	92210-0116	2
NUT,8MM (Ref # 92210A)	92210-0117	2
NUT,CASTLE,22MM (Ref # 92210B)	92210-1902	1
KIT,CHAIN GUARD,ZX-25R/ZX-4R (Ref # 99999)	99999-0897	1
CIRCLIP-TYPE-C,35MM (Ref # 481)	481J3500	1
BEARING-BALL,#6003G (Ref # 601)	601B6003G	1