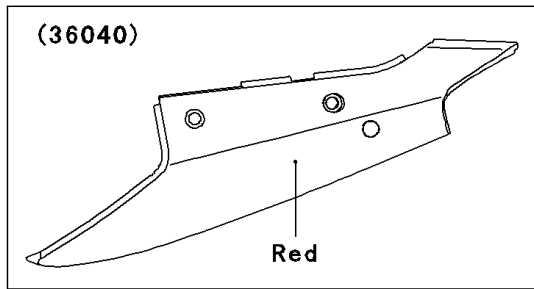
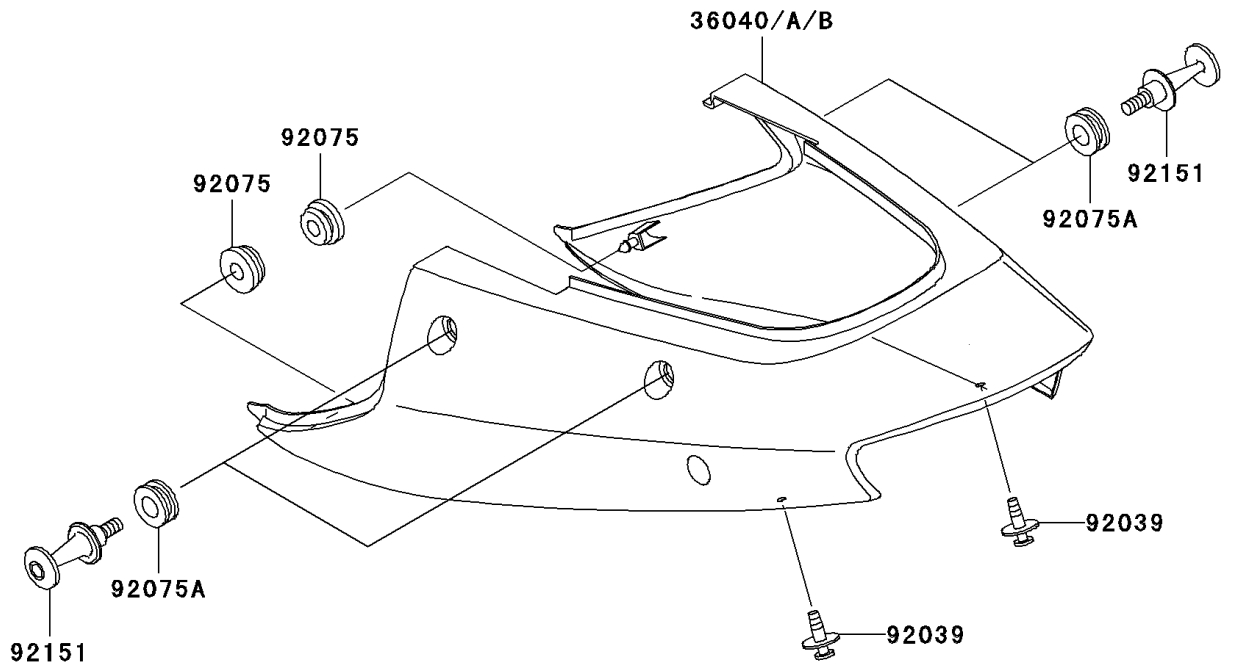


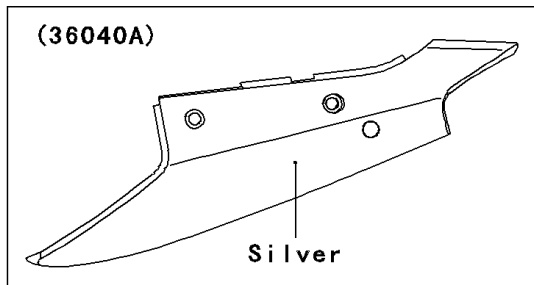
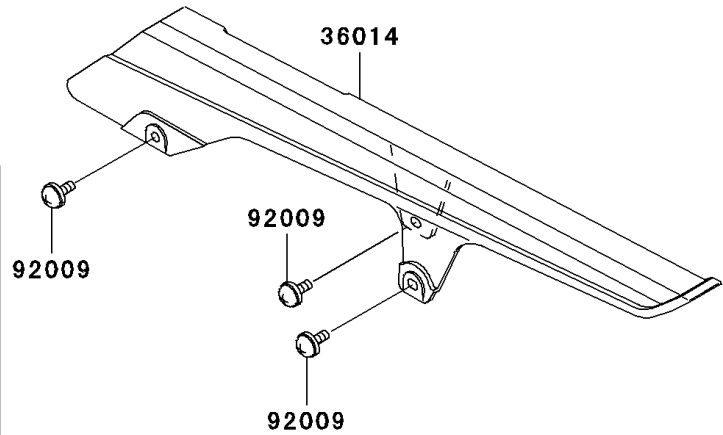
2000 Ninja® ZX™-12R PARTS DIAGRAM

Side Covers/Chain Cover

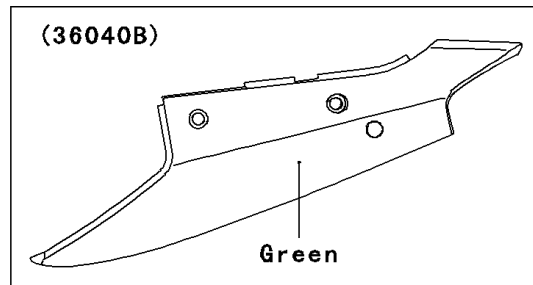
F2610



WOD



WOD



WOD

2000 Ninja® ZX™-12R PARTS LIST

Side Covers/Chain Cover

| ITEM NAME | PART NUMBER | QUANTITY |
|--------------------------------------|---------------|----------|
| CASE-CHAIN (Ref # 36014) | 36014-1237 | 1 |
| COVER-TAIL,C.P.RED (Ref # 36040) | 36040-1053-A5 | 1 |
| COVER-TAIL,C.L.GREEN (Ref # 36040B) | 36040-1053-8N | 1 |
| SCREW,6X10 (Ref # 92009) | 92009-1661 | 3 |
| RIVET (Ref # 92039) | 92039-1227 | 2 |
| DAMPER (Ref # 92075) | 92075-1011 | 2 |
| DAMPER (Ref # 92075A) | 92075-1634 | 4 |
| BOLT (Ref # 92151) | 92151-1552 | 4 |
| COVER-TAIL,M.P.SILVER (Ref # 36040A) | 36040-1053-GU | 1 |