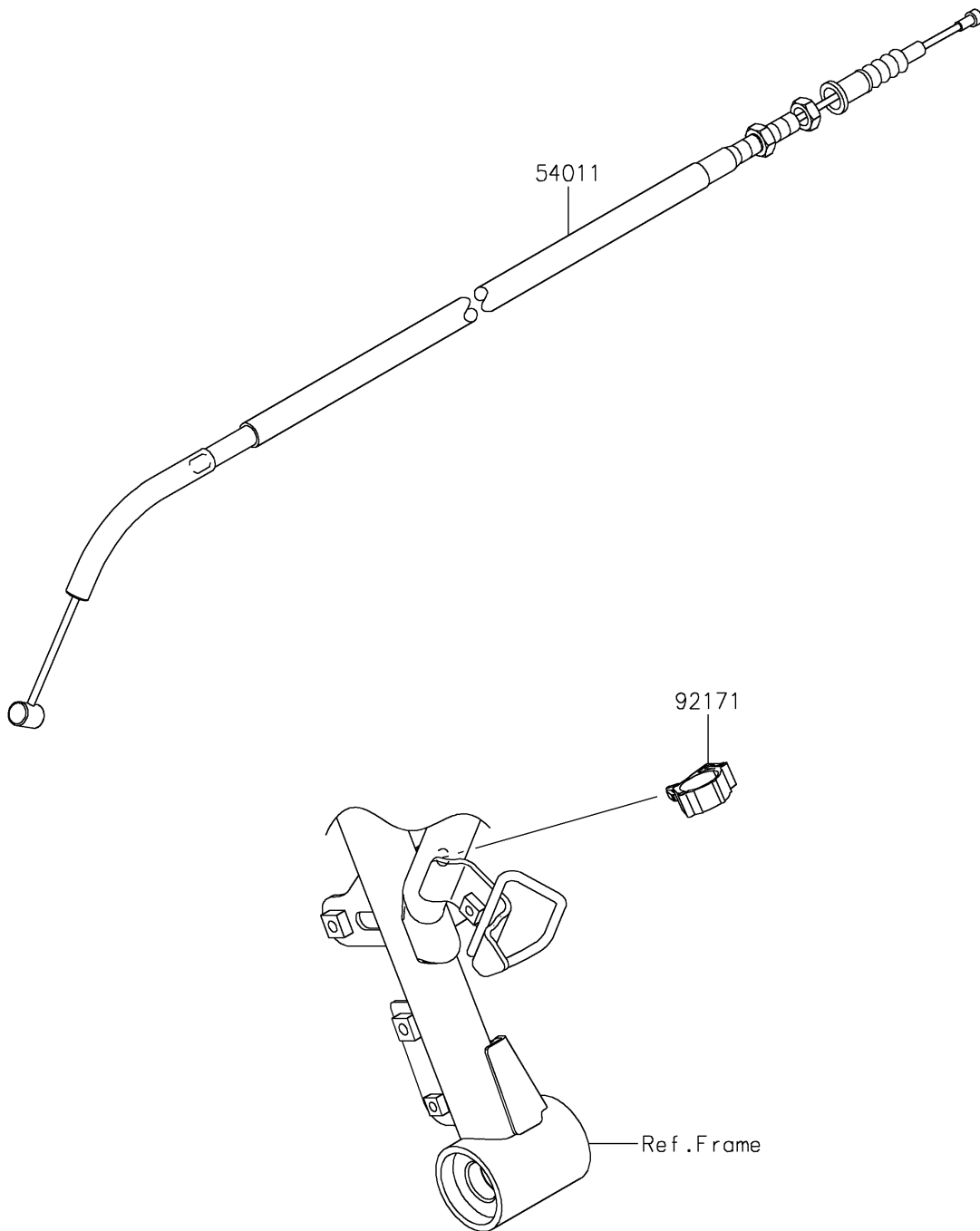


2023 Ninja ZX-4R ABS PARTS DIAGRAM

Cables

F2540



2023 Ninja ZX-4R ABS PARTS LIST

Cables

ITEM NAME	PART NUMBER	QUANTITY
CABLE-CLUTCH (Ref # 54011)	54011-0661	1
CLAMP,BRAKE HOSE (Ref # 92171)	92171-0316	1