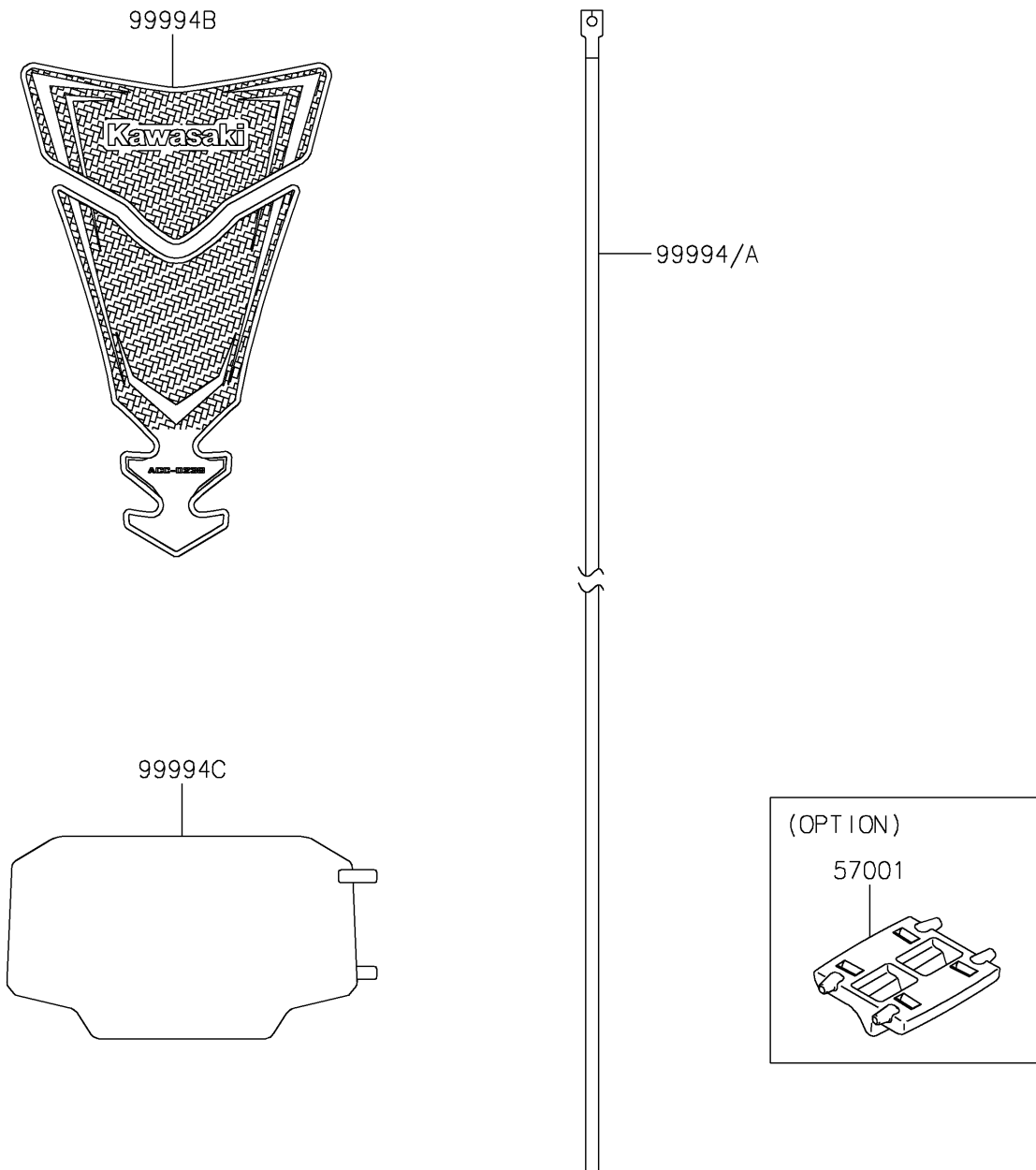


# 2023 Ninja ZX-4R ABS PARTS DIAGRAM

Accessory(Decals)

F2910G



## 2023 Ninja ZX-4R ABS PARTS LIST

Accessory(Decals)

ITEM NAME	PART NUMBER	QUANTITY
RIM STRIPE APPLICATOR (Ref # 57001)	57001-1752	AR
WHEEL RIM TAPE, GREEN (Ref # 99994)	99994-0932	1
WHEEL RIM TAPE, SILVER (Ref # 99994A)	99994-0933	1
TANKPAD (Ref # 99994B)	99994-1217	1
SCRATCH RESISTANT FILM (Ref # 99994C)	99994-1472	1