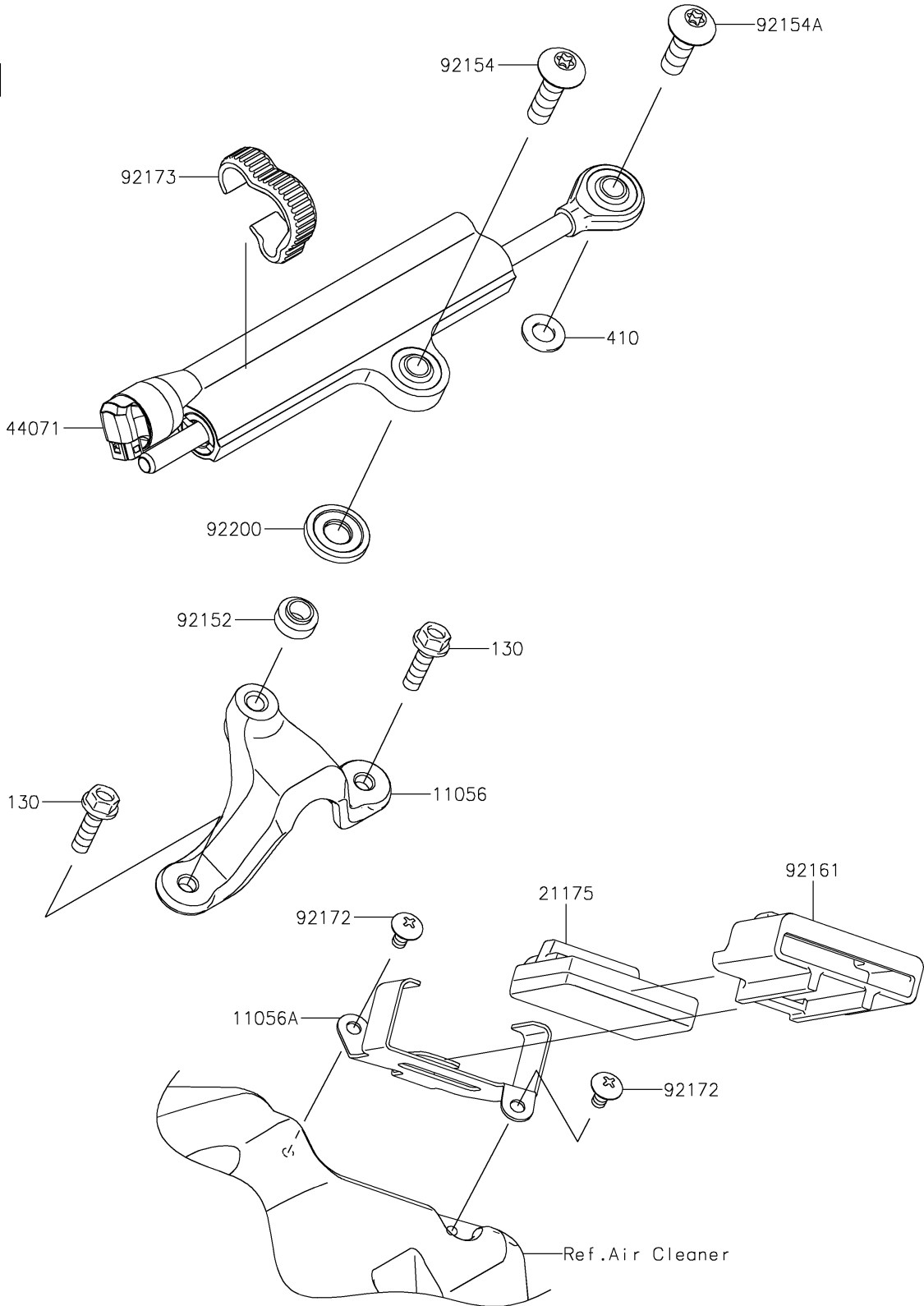


2025 NINJA® ZX™ -10RR ABS PARTS DIAGRAM

Steering Damper

F2313



2025 NINJA® ZX™ -10RR ABS PARTS LIST

Steering Damper

ITEM NAME	PART NUMBER	QUANTITY
BRACKET,STEERING DAMPER (Ref # 11056)	11056-0173	1
BRACKET,ECU (Ref # 11056A)	11056-7685	1
CONTROL UNIT-ELECTRONIC,OHLINS (Ref # 21175)	21175-1529	1
DAMPER-ASSY,STEERING (Ref # 44071)	44071-1498	1
COLLAR,8X10X7.3 (Ref # 92152)	92152-2146	1
BOLT,TORX,8X30 (Ref # 92154)	92154-1801	1
BOLT,TORX,8X26 (Ref # 92154A)	92154-1897	1
DAMPER,ECU (Ref # 92161)	92161-1729	1
SCREW,TAPPING,5X10 (Ref # 92172)	92172-0262	2
CLAMP (Ref # 92173)	92173-1023	1
WASHER (Ref # 92200)	92200-0293	1
BOLT-FLANGED,6X20 (Ref # 130)	130BA0620	2
WASHER-PLAIN-SMALL,8MM (Ref # 410)	410AA0800	1