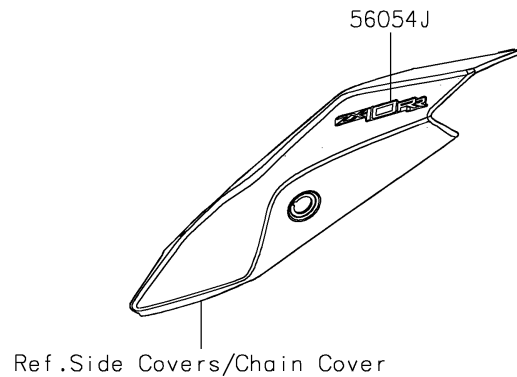
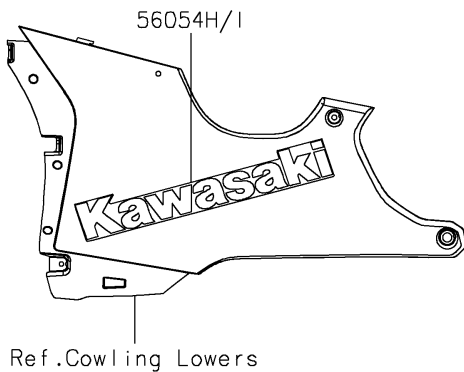
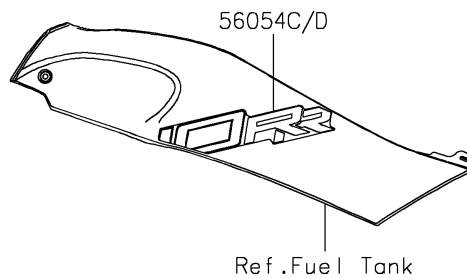
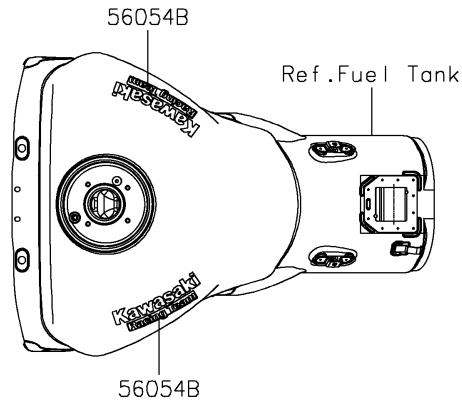
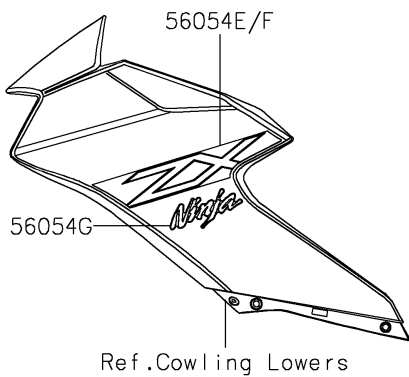
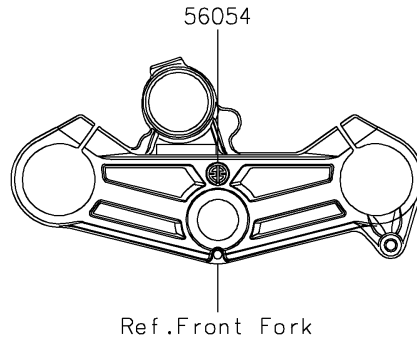
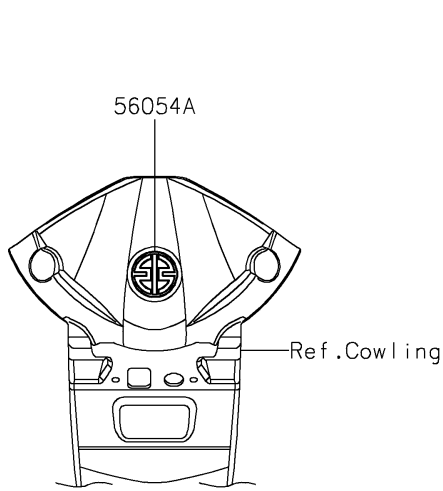


# 2025 NINJA® ZX™ -10RR ABS PARTS DIAGRAM

Decals(TSFNN/TSFNL)

F2861A



## 2025 NINJA® ZX™ -10RR ABS PARTS LIST

Decals(TSFNN/TSFNL)

ITEM NAME	PART NUMBER	QUANTITY
MARK,UPP HOLDER,RIVER (Ref # 56054)	56054-1628	1
MARK,UPP COWL.,RIVER (Ref # 56054A)	56054-2900	1
MARK,KAWASAKI RACING TEAM (Ref # 56054B)	56054-4269	2
MARK,TANK COVER,LH,10RR (Ref # 56054C)	56054-4270	1
MARK,TANK COVER,RH,ZX (Ref # 56054D)	56054-4271	1
MARK,SIDE COVER,LH,ZX (Ref # 56054E)	56054-4272	1
MARK,SIDE COVER,RH,10RR (Ref # 56054F)	56054-4273	1
MARK,SIDE COWL.,NINJA (Ref # 56054G)	56054-4274	2
MARK,LWR COWL.,LH,KAWASAKI (Ref # 56054H)	56054-4275	1
MARK,LWR COWL.,RH,KAWASAKI (Ref # 56054I)	56054-4276	1
MARK,SIDE COVER,ZX-10RR (Ref # 56054J)	56054-4277	2