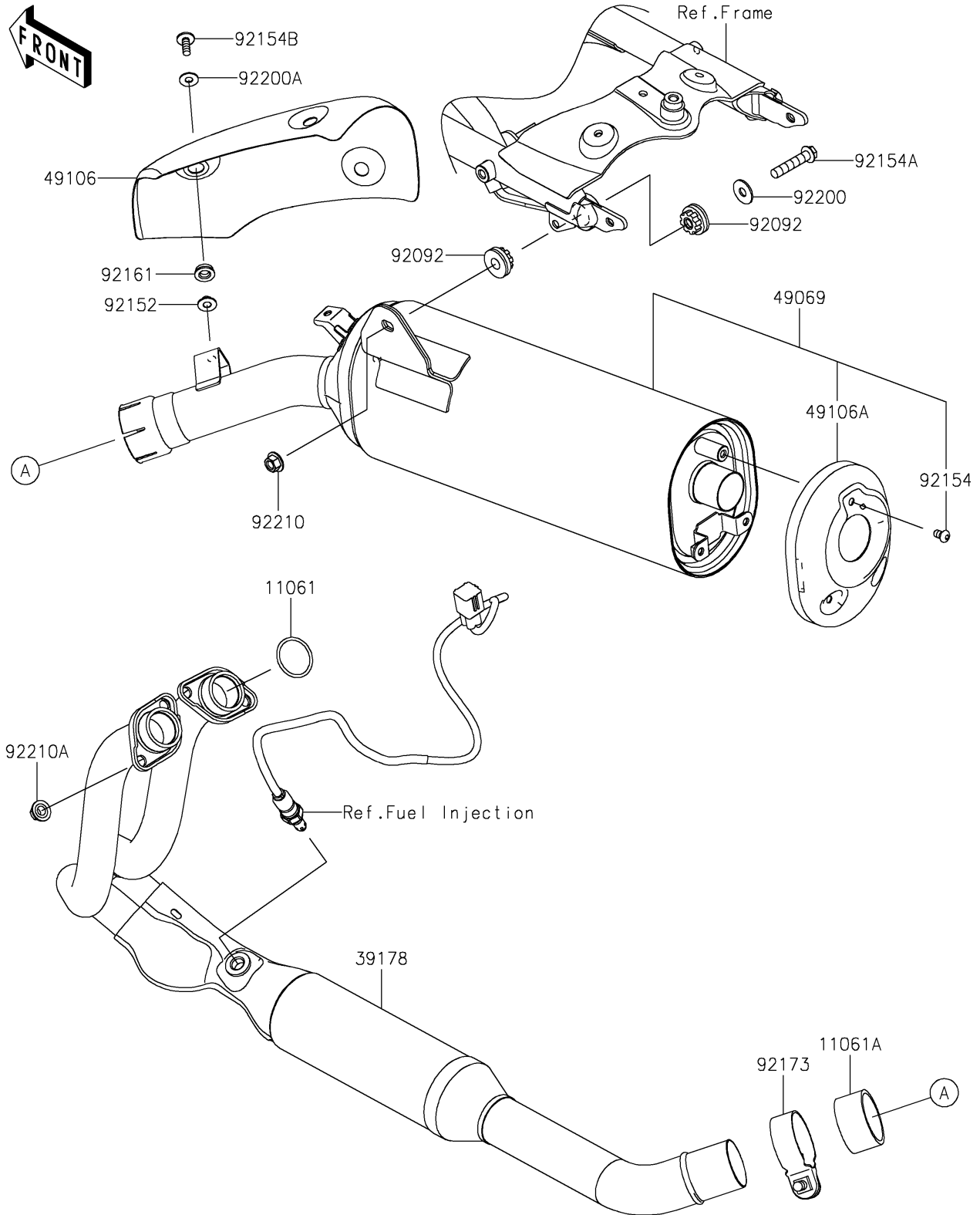


# 2025 Eliminator ABS PARTS DIAGRAM

Muffler(s)

E1140



## 2025 Eliminator ABS PARTS LIST

### Muffler(s)

ITEM NAME	PART NUMBER	QUANTITY
GASKET,EXHAUST PIPE (Ref # 11061)	11061-1249	2
GASKET,EXHAUST PIPE CONNECTING (Ref # 11061A)	11061-1266	1
MANIFOLD-COMP-EXHAUST (Ref # 39178)	39178-0448	1
MUFFLER-ASSY (Ref # 49069)	49069-0911	1
COVER-MUFFLER (Ref # 49106)	49106-0876	1
COVER-MUFFLER,END (Ref # 49106A)	49106-0883	1
BUSHING-RUBBER (Ref # 92092)	92092-0044	2
COLLAR (Ref # 92152)	92152-3804	3
BOLT,SOCKET,6X10 (Ref # 92154)	92154-7021	3
BOLT,FLANGED,8X40 (Ref # 92154A)	92154-7038	1
BOLT,SOCKET,6X16 (Ref # 92154B)	92154-7234	3
DAMPER (Ref # 92161)	92161-2534	3
CLAMP (Ref # 92173)	92173-1931	1
WASHER,8.5X19X1 (Ref # 92200)	92200-1733	1
WASHER (Ref # 92200A)	92200-2636	3
NUT,8MM (Ref # 92210)	92210-0121	1
NUT,8MM (Ref # 92210A)	92210-1114	4