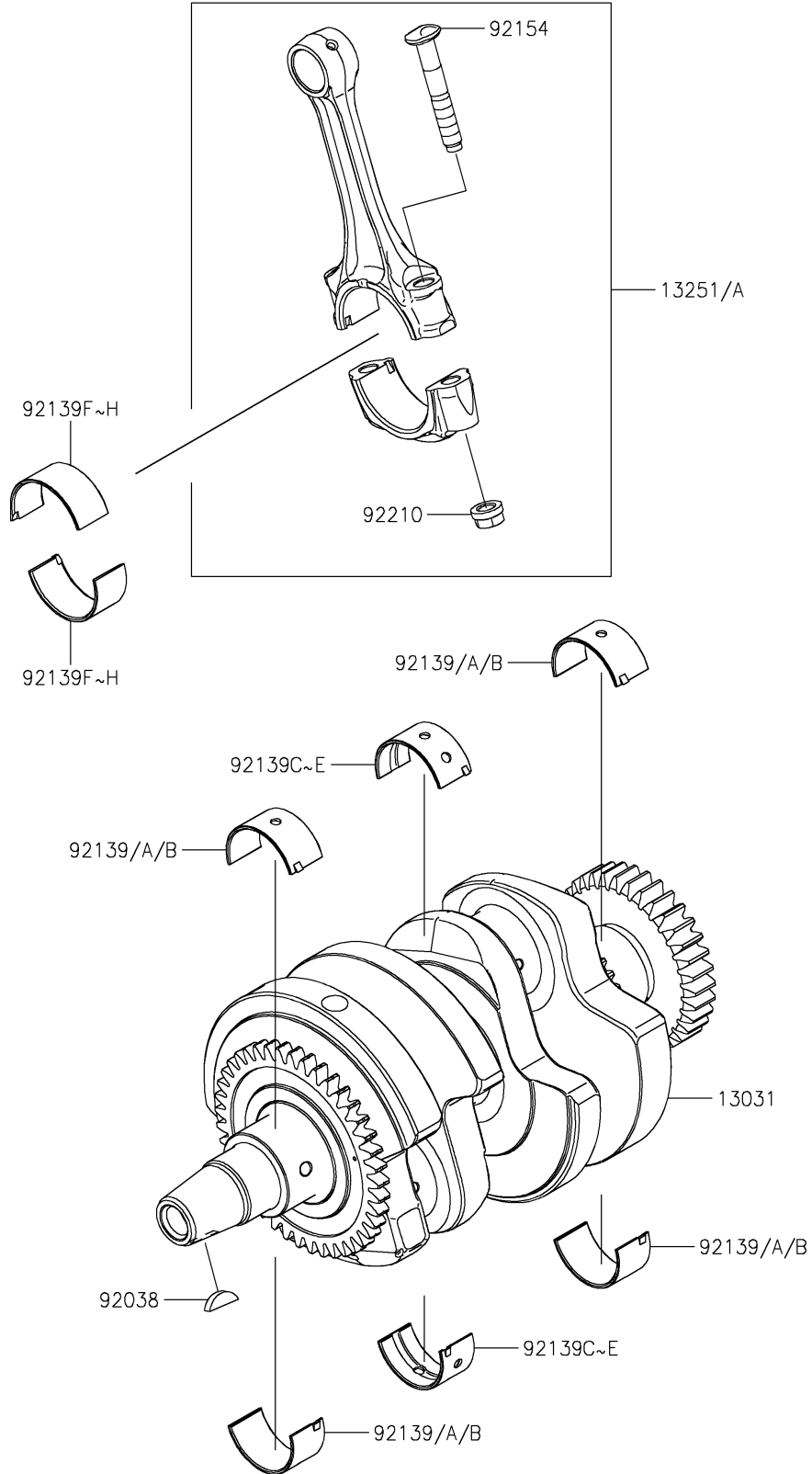


# 2025 Eliminator ABS PARTS DIAGRAM

Crankshaft

E1321



## 2025 Eliminator ABS PARTS LIST

### Crankshaft

| ITEM NAME                                   | PART NUMBER   | QUANTITY |
|---|---------------|----------|
| CRANKSHAFT-COMP (Ref # 13031)               | 13031-1560    | 1        |
| ROD-ASSY-CONNECTING,G (Ref # 13251)         | 13251-0757-GG | 2        |
| ROD-ASSY-CONNECTING,H (Ref # 13251A)        | 13251-0757-HH | AR       |
| KEY,WOODRUFF (Ref # 92038)                  | 92038-001     | 1        |
| BUSHING,CRANK #1&#3,BLUE (Ref # 92139)      | 92139-1200    | AR       |
| BUSHING,CRANK #1&#3,BLACK (Ref # 92139A)    | 92139-1201    | 4        |
| BUSHING,CRANK #1&#3,BROWN (Ref # 92139B)    | 92139-1202    | AR       |
| BUSHING,CRANK #2,BLUE (Ref # 92139C)        | 92139-1203    | AR       |
| BUSHING,CRANK #2,BLACK (Ref # 92139D)       | 92139-1204    | 2        |
| BUSHING,CRANK #2,BROWN (Ref # 92139E)       | 92139-1205    | AR       |
| BUSHING,CONNECTING ROD,BLUE (Ref # 92139F)  | 92139-1219    | AR       |
| BUSHING,CONNECTING ROD,BLACK (Ref # 92139G) | 92139-1220    | 4        |
| BUSHING,CONNECTING ROD,BROWN (Ref # 92139H) | 92139-1221    | AR       |
| BOLT,7MM (Ref # 92154)                      | 92154-7075    | 4        |
| NUT,CONNECTING ROD,7MM (Ref # 92210)        | 92210-0384    | 4        |