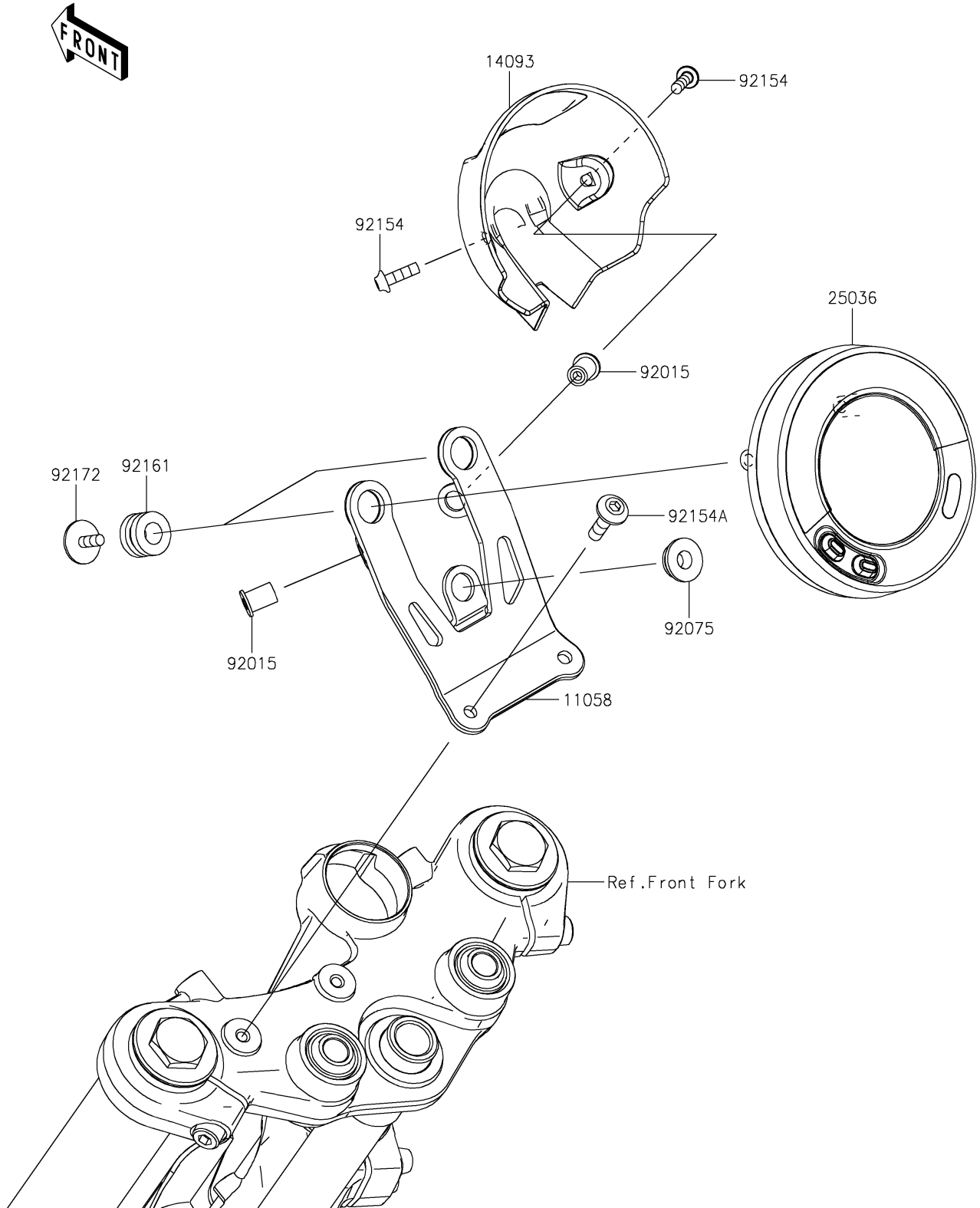


# 2025 Eliminator ABS PARTS DIAGRAM

Meter(s)

F2530



## 2025 Eliminator ABS PARTS LIST

Meter(s)

ITEM NAME	PART NUMBER	QUANTITY
BRACKET,METER (Ref # 11058)	11058-0251	1
COVER,METER (Ref # 14093)	14093-1351	1
METER-ASSY,LCD (Ref # 25036)	25036-0041	1
NUT,WELL,5MM (Ref # 92015)	92015-1757	2
DAMPER,RADIATOR GUARD (Ref # 92075)	92075-1469	1
BOLT,SOCKET,5X16 (Ref # 92154)	92154-1701	2
BOLT,SOCKET,6X22 (Ref # 92154A)	92154-2234	2
DAMPER (Ref # 92161)	92161-2375	2
SCREW,TAPPING,WP,5X14 (Ref # 92172)	92172-0441	2