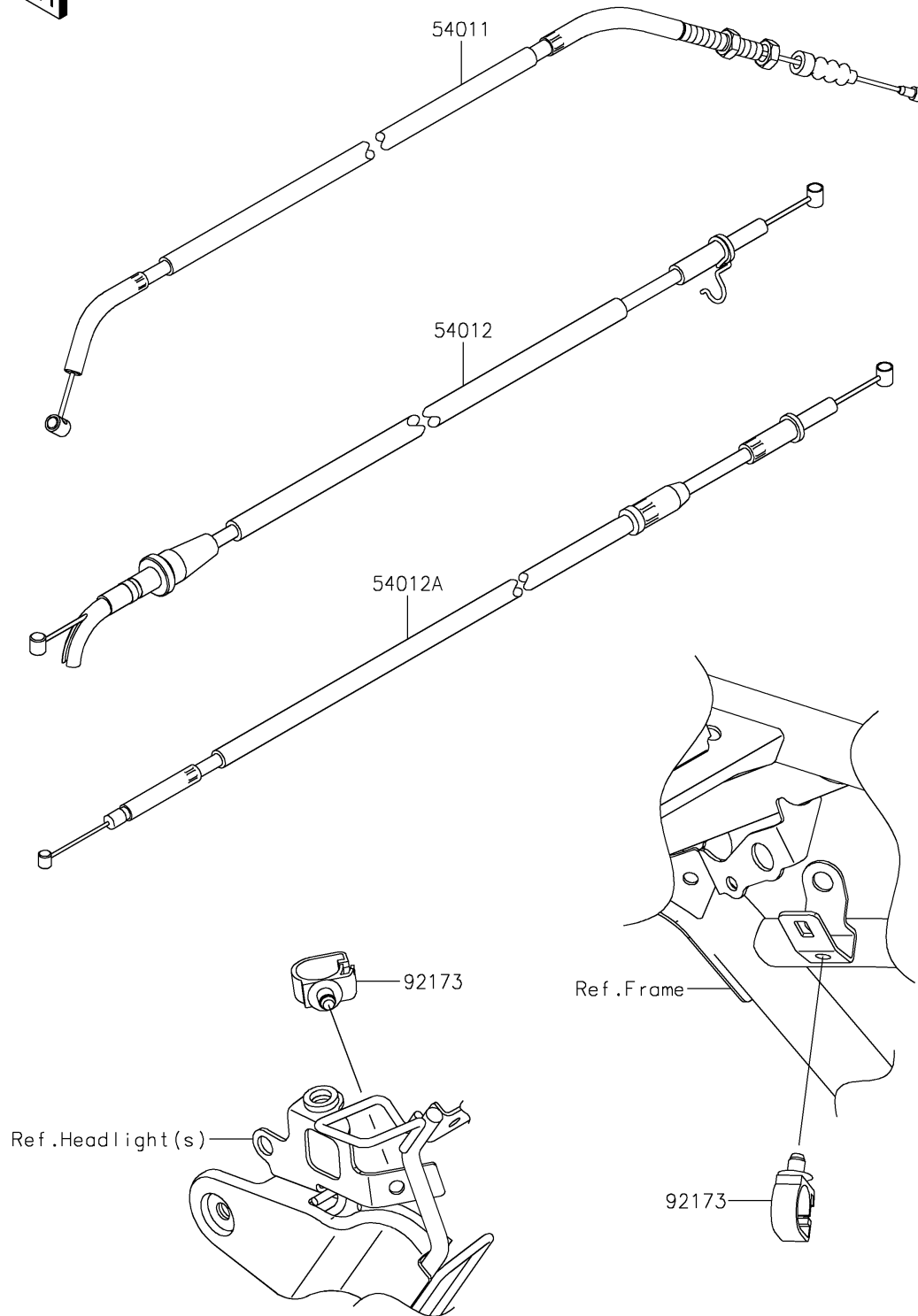


# 2025 Eliminator ABS PARTS DIAGRAM

Cables

F2540



## 2025 Eliminator ABS PARTS LIST

### Cables

| ITEM NAME                             | PART NUMBER | QUANTITY |
|---------------------------------------|-------------|----------|
| CABLE-CLUTCH (Ref # 54011)            | 54011-0664  | 1        |
| CABLE-THROTTLE,OPENING (Ref # 54012)  | 54012-0730  | 1        |
| CABLE-THROTTLE,CLOSING (Ref # 54012A) | 54012-0731  | 1        |
| CLAMP (Ref # 92173)                   | 92173-0861  | 2        |