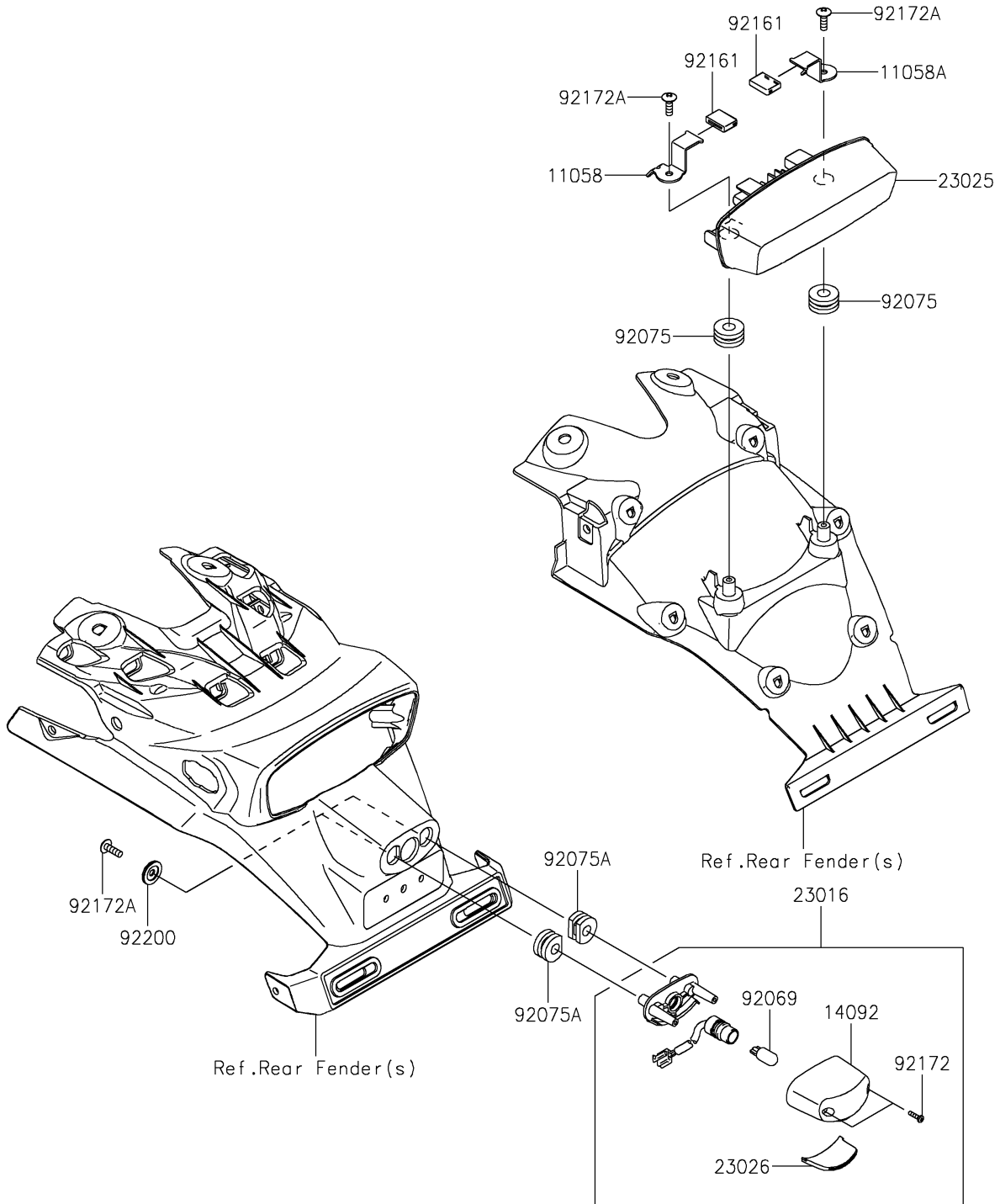


# 2024 Eliminator® PARTS DIAGRAM

Taillight(s)

F2720



## 2024 Eliminator® PARTS LIST

### Taillight(s)

| ITEM NAME                           | PART NUMBER | QUANTITY |
|-------------------------------------|-------------|----------|
| BRACKET,TAIL LAMP,LH (Ref # 11058)  | 11058-0504  | 1        |
| BRACKET,TAIL LAMP,RH (Ref # 11058A) | 11058-0505  | 1        |
| COVER,LICENSE LAMP (Ref # 14092)    | 14092-0001  | 1        |
| LAMP-ASSY,LICENCE (Ref # 23016)     | 23016-0658  | 1        |
| LAMP-TAIL,LED (Ref # 23025)         | 23025-0396  | 1        |
| LENS,LICENCE LAMP (Ref # 23026)     | 23026-0035  | 1        |
| BULB,12V 5W (Ref # 92069)           | 92069-1016  | 1        |
| DAMPER,10X24X12 (Ref # 92075)       | 92075-1690  | 2        |
| DAMPER (Ref # 92075A)               | 92075-1870  | 2        |
| DAMPER,15X21X5.5 (Ref # 92161)      | 92161-1472  | 2        |
| SCREW,TAPPING,2.9X13 (Ref # 92172)  | 92172-0343  | 2        |
| SCREW,TAPPING,5X16 (Ref # 92172A)   | 92172-0427  | 4        |
| WASHER,5.5X20X2 (Ref # 92200)       | 92200-1971  | 2        |