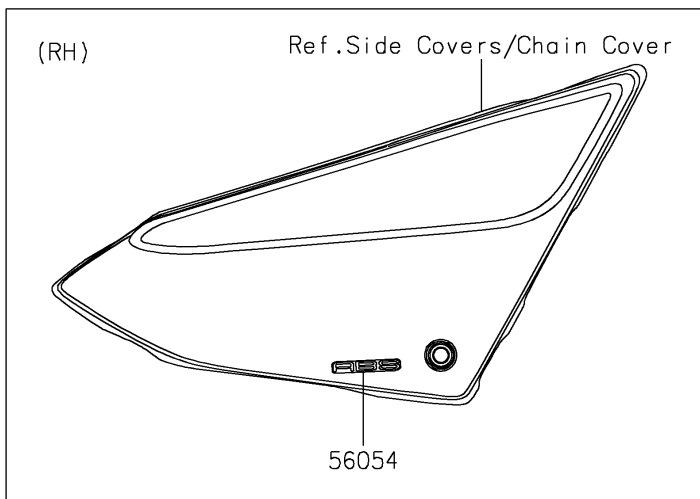
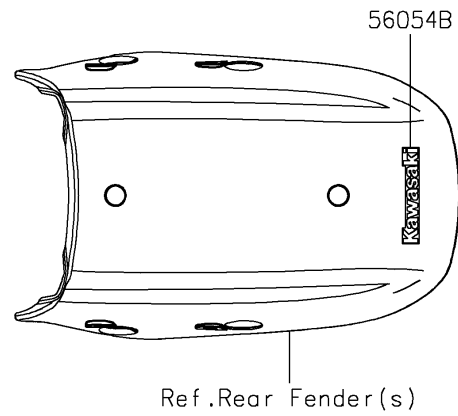
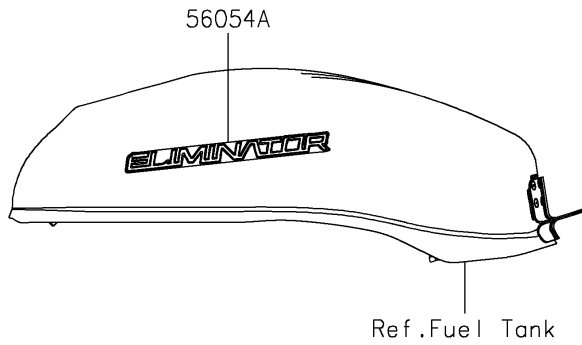


# 2024 ELIMINATOR® ABS PARTS DIAGRAM

Decals(Black)(ARFNN)(CN)

F2861



## 2024 ELIMINATOR® ABS PARTS LIST

Decals(Black)(ARFNN)(CN)

ITEM NAME	PART NUMBER	QUANTITY
MARK,ABS (Ref # 56054)	56054-1064	1
MARK,FUEL TANK,ELIMINATOR (Ref # 56054A)	56054-3965	2
MARK,RR FENDER,KAWASAKI (Ref # 56054B)	56054-3966	1