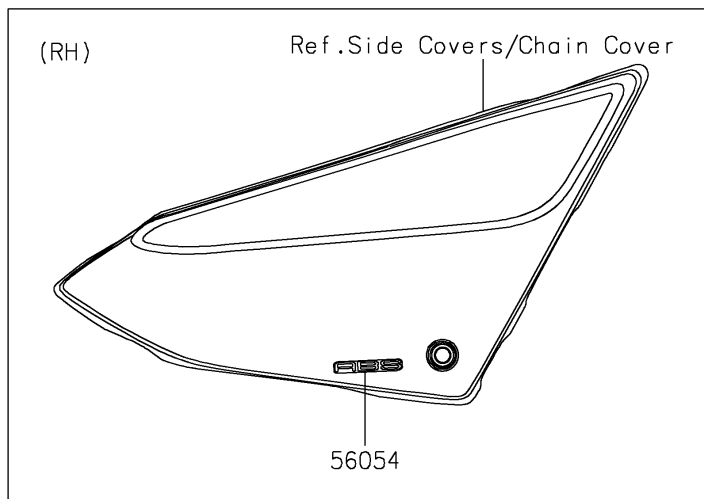
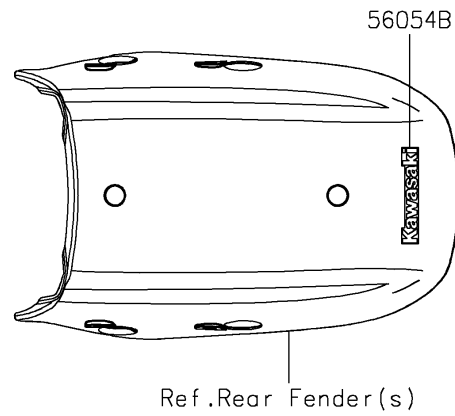
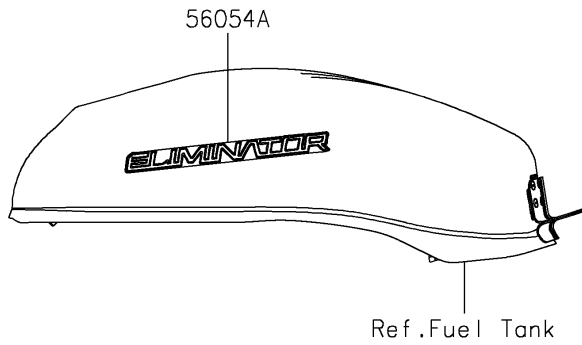


# 2025 Eliminator ABS PARTS DIAGRAM

Decals(White)(ARFNN/ARSNL)

F2861A



## 2025 Eliminator ABS PARTS LIST

Decals(White)(ARFNN/ARSNL)

| ITEM NAME                                | PART NUMBER | QUANTITY |
|--|-------------|----------|
| MARK,ABS (Ref # 56054)                   | 56054-1412  | 1        |
| MARK,FUEL TANK,ELIMINATOR (Ref # 56054A) | 56054-3967  | 2        |
| MARK,RR FENDER,KAWASAKI (Ref # 56054B)   | 56054-3973  | 1        |