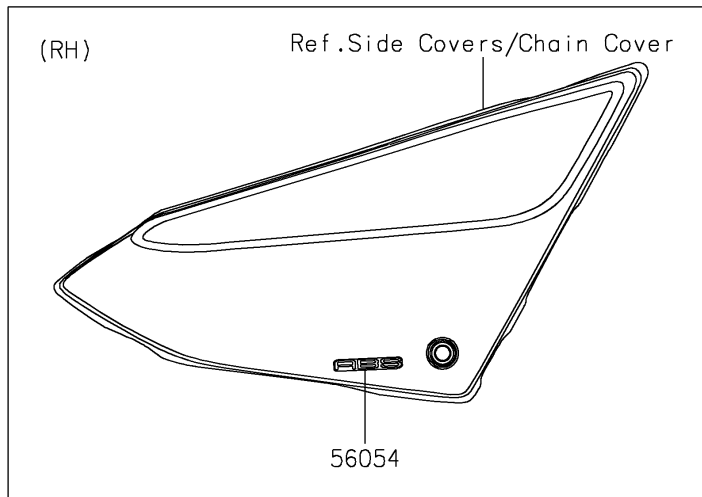
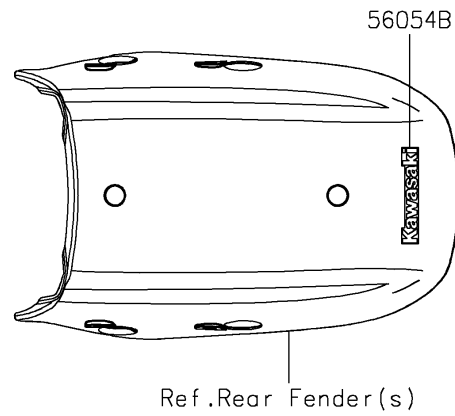
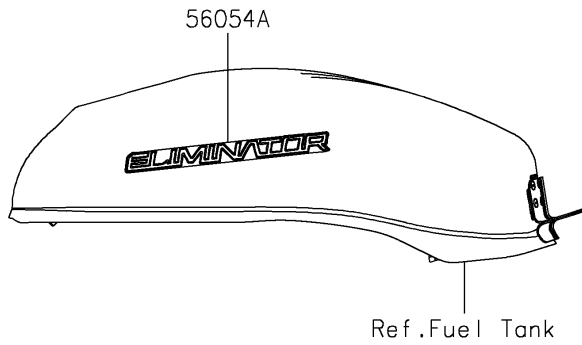


2025 Eliminator ABS PARTS DIAGRAM

Decals(Gray)(ARFNN/ARSNL)

F2861B



2025 Eliminator ABS PARTS LIST

Decals(Gray)(ARFNN/ARSNL)

ITEM NAME	PART NUMBER	QUANTITY
MARK,ABS (Ref # 56054)	56054-1412	1
MARK,FUEL TANK,ELIMINATOR (Ref # 56054A)	56054-3968	2
MARK,RR FENDER,KAWASAKI (Ref # 56054B)	56054-3969	1