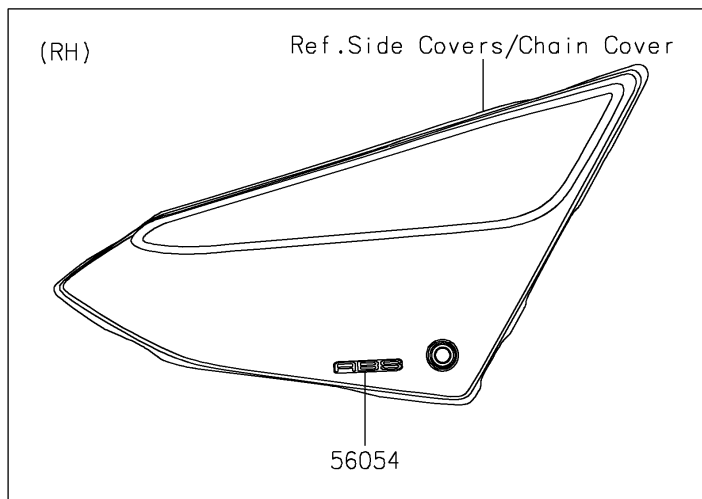
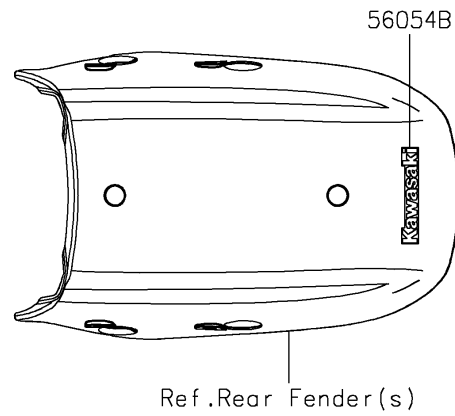
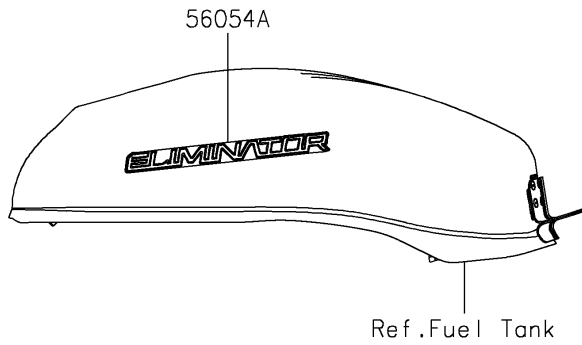


2025 Eliminator ABS PARTS DIAGRAM

Decals(Black)(ASFNN/ASFNL)

F2861C



2025 Eliminator ABS PARTS LIST

Decals(Black)(ASFNN/ASFNL)

ITEM NAME	PART NUMBER	QUANTITY
MARK,ABS (Ref # 56054)	56054-1064	1
MARK,FUEL TANK,ELIMINATOR (Ref # 56054A)	56054-3965	2
MARK,RR FENDER,KAWASAKI (Ref # 56054B)	56054-3966	1