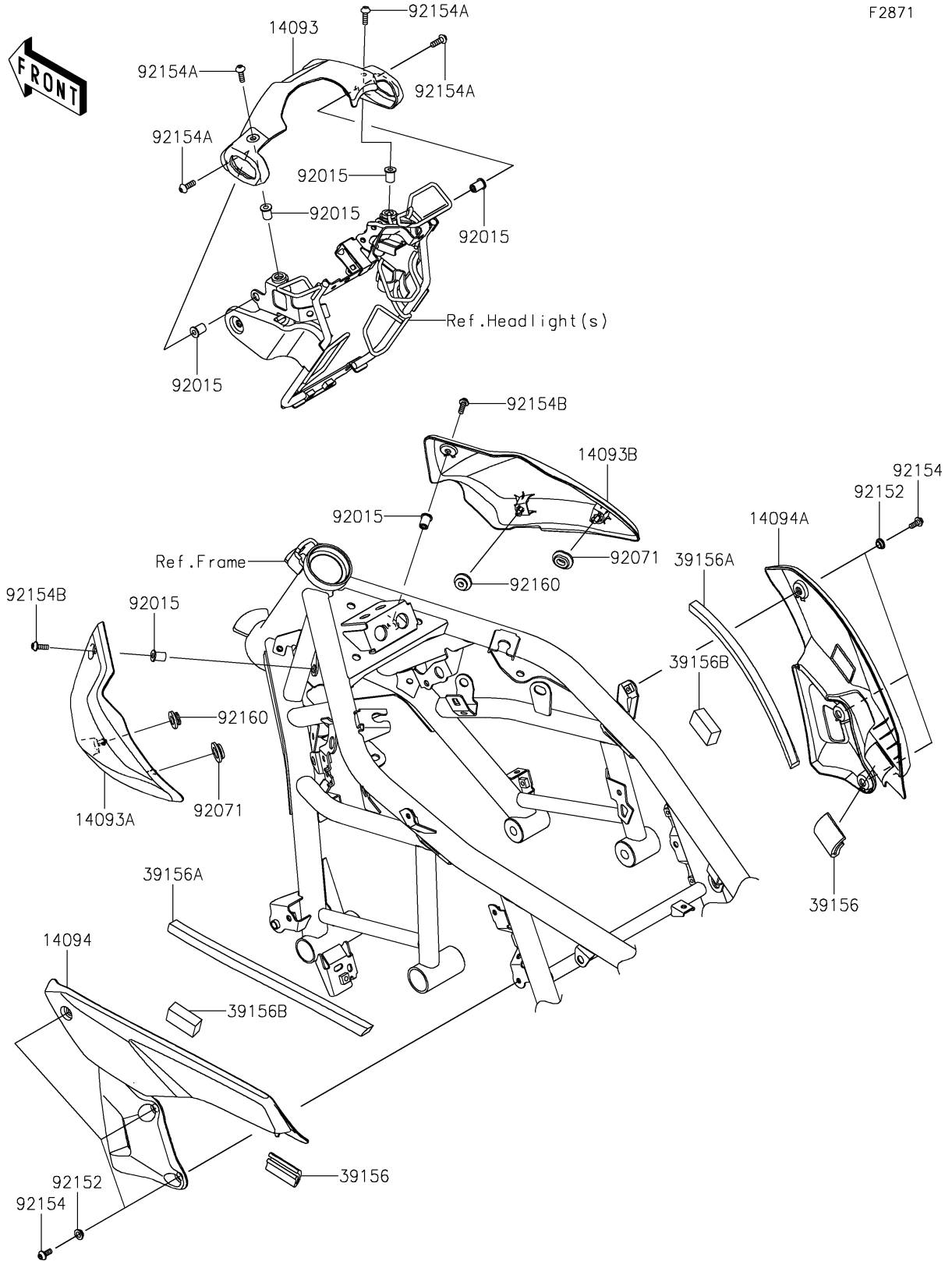


2025 Eliminator ABS PARTS DIAGRAM

Cowling

F2871



2025 Eliminator ABS PARTS LIST

Cowling

ITEM NAME	PART NUMBER	QUANTITY
COVER,HEAD LAMP (Ref # 14093)	14093-1303	1
COVER,HEAD PIPE,LH (Ref # 14093A)	14093-1304	1
COVER,HEAD PIPE,RH (Ref # 14093B)	14093-1305	1
COVER,KNEE GRIP,LH (Ref # 14094)	14094-0008	1
COVER,KNEE GRIP,RH (Ref # 14094A)	14094-0009	1
PAD,50X40X4 (Ref # 39156)	39156-2826	2
PAD,10X260X10 (Ref # 39156A)	39156-2832	2
PAD,37X20X13 (Ref # 39156B)	39156-2833	2
NUT,WELL,5MM (Ref # 92015)	92015-1757	6
GROMMET,20X24X7.5 (Ref # 92071)	92071-0766	2
COLLAR (Ref # 92152)	92152-3772	6
BOLT,SOCKET,5X12 (Ref # 92154)	92154-0917	6
BOLT,SOCKET,5X16 (Ref # 92154A)	92154-1701	4
BOLT,HEX HEAD,5X14 (Ref # 92154B)	92154-4228	2
DAMPER (Ref # 92160)	92160-1613	2