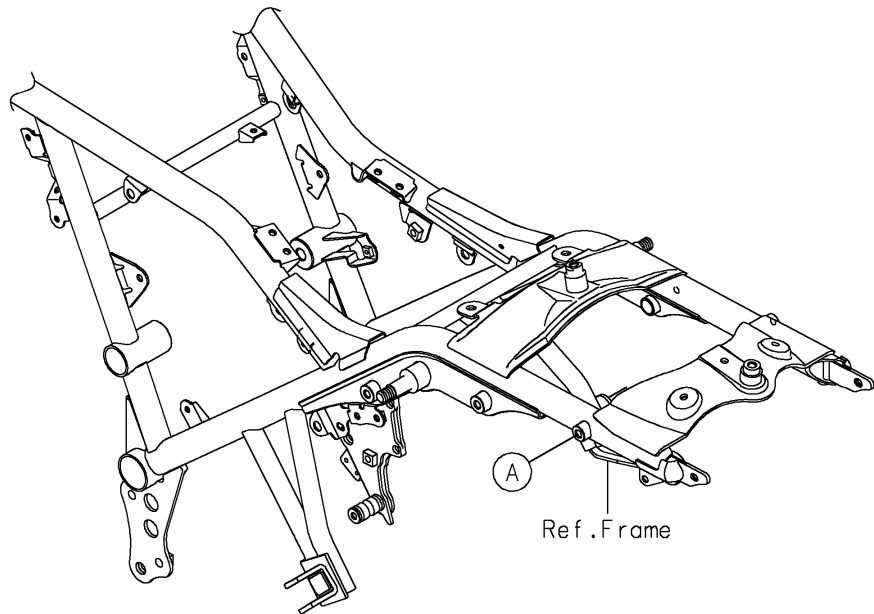


# 2025 Eliminator ABS PARTS DIAGRAM

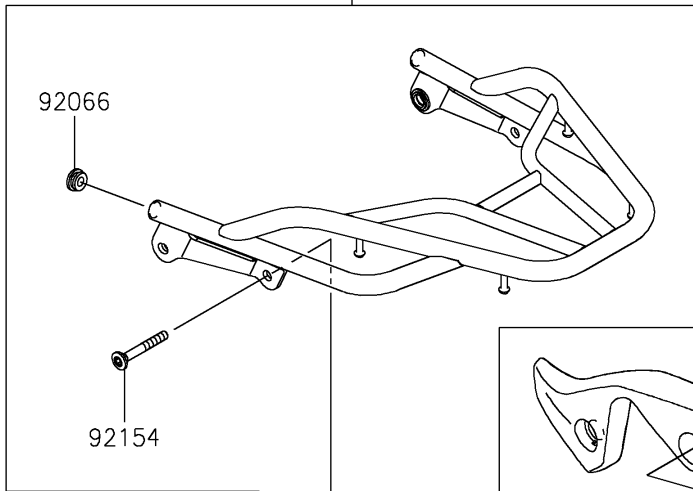
Accessory(Rear Carrier)

F2910C



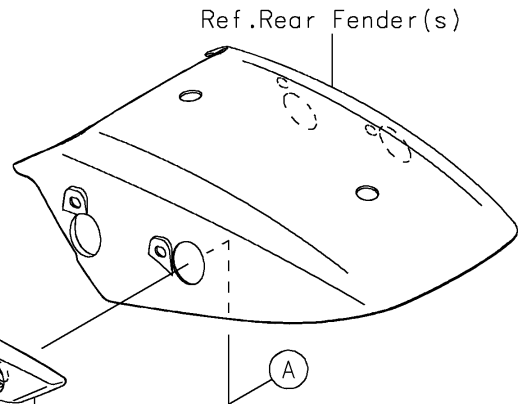
Ref. Frame

99994



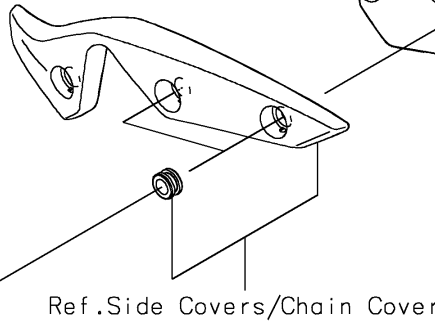
92066

92154



Ref. Rear Fender(s)

A



Ref. Side Covers/Chain Cover

92152

## 2025 Eliminator ABS PARTS LIST

Accessory(Rear Carrier)

ITEM NAME	PART NUMBER	QUANTITY
PLUG (Ref # 92066)	92066-1306	2
COLLAR (Ref # 92152)	92152-2947	4
BOLT,SOCKET,8X60 (Ref # 92154)	92154-7060	4
REAR CARRIER (Ref # 99994)	99994-1902	1