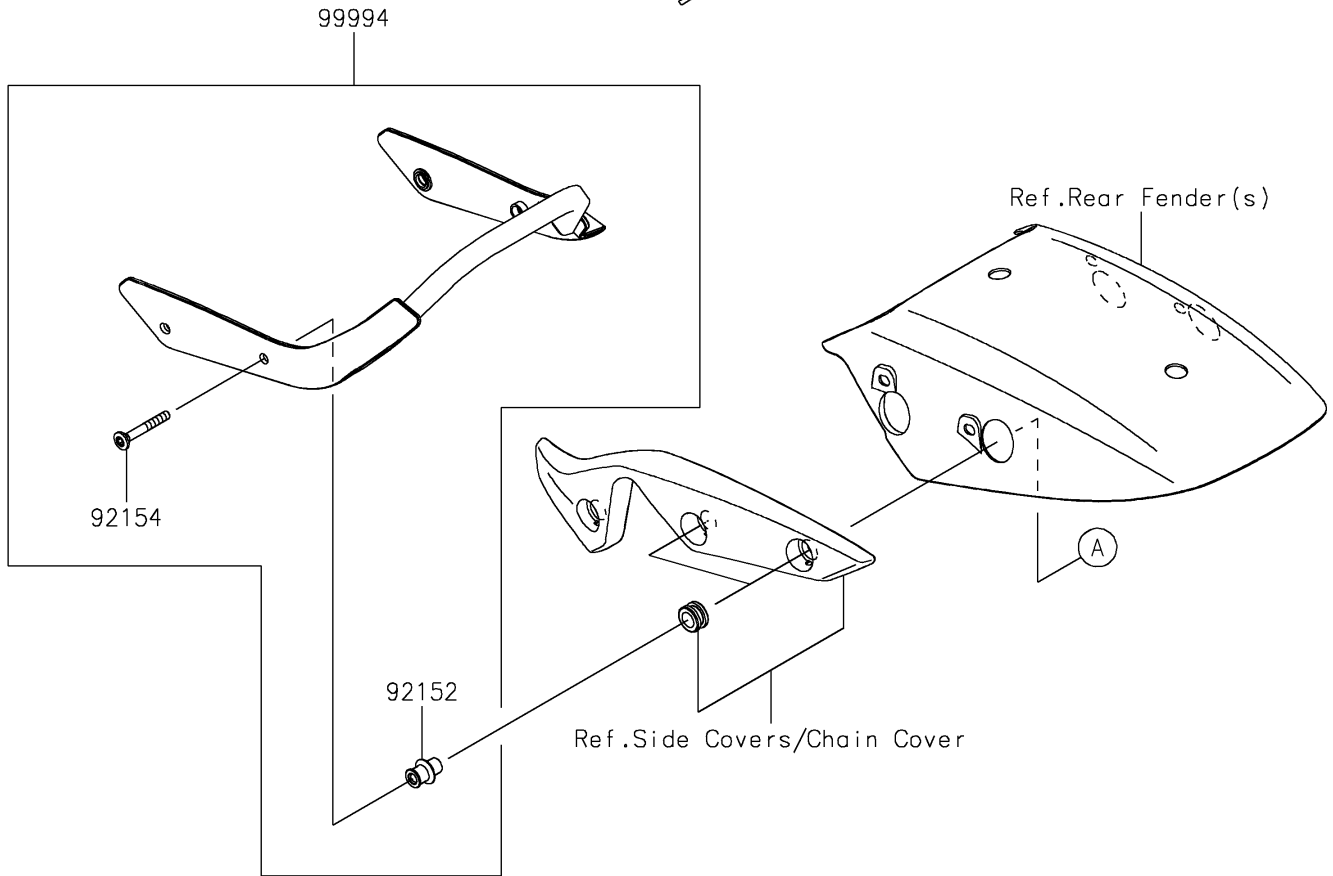
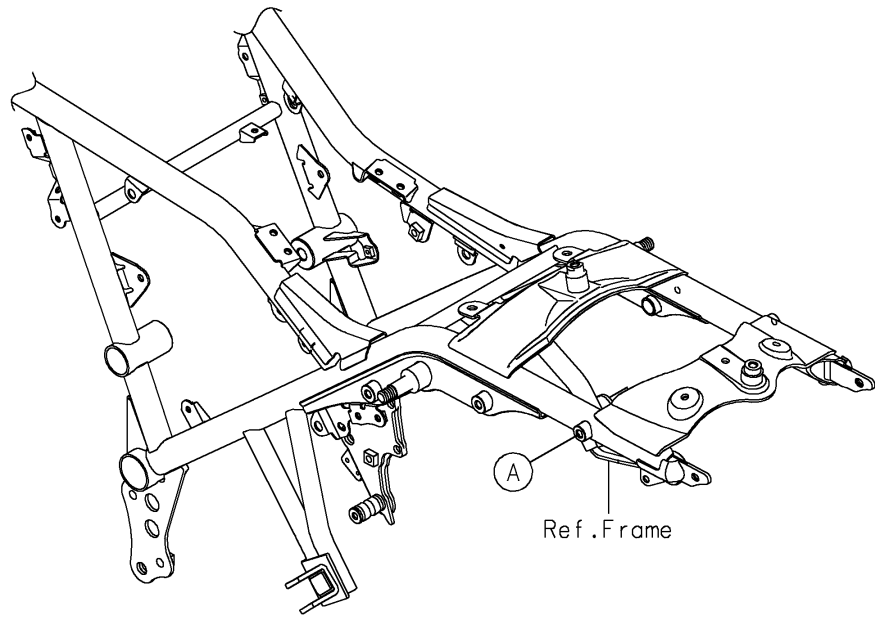


2025 Eliminator ABS PARTS DIAGRAM

Accessory(Grab Bar)

F2910D



2025 Eliminator ABS PARTS LIST

Accessory(Grab Bar)

ITEM NAME	PART NUMBER	QUANTITY
COLLAR (Ref # 92152)	92152-2947	4
BOLT,SOCKET,8X60 (Ref # 92154)	92154-7060	4
GRAB BAR (Ref # 99994)	99994-1909	1