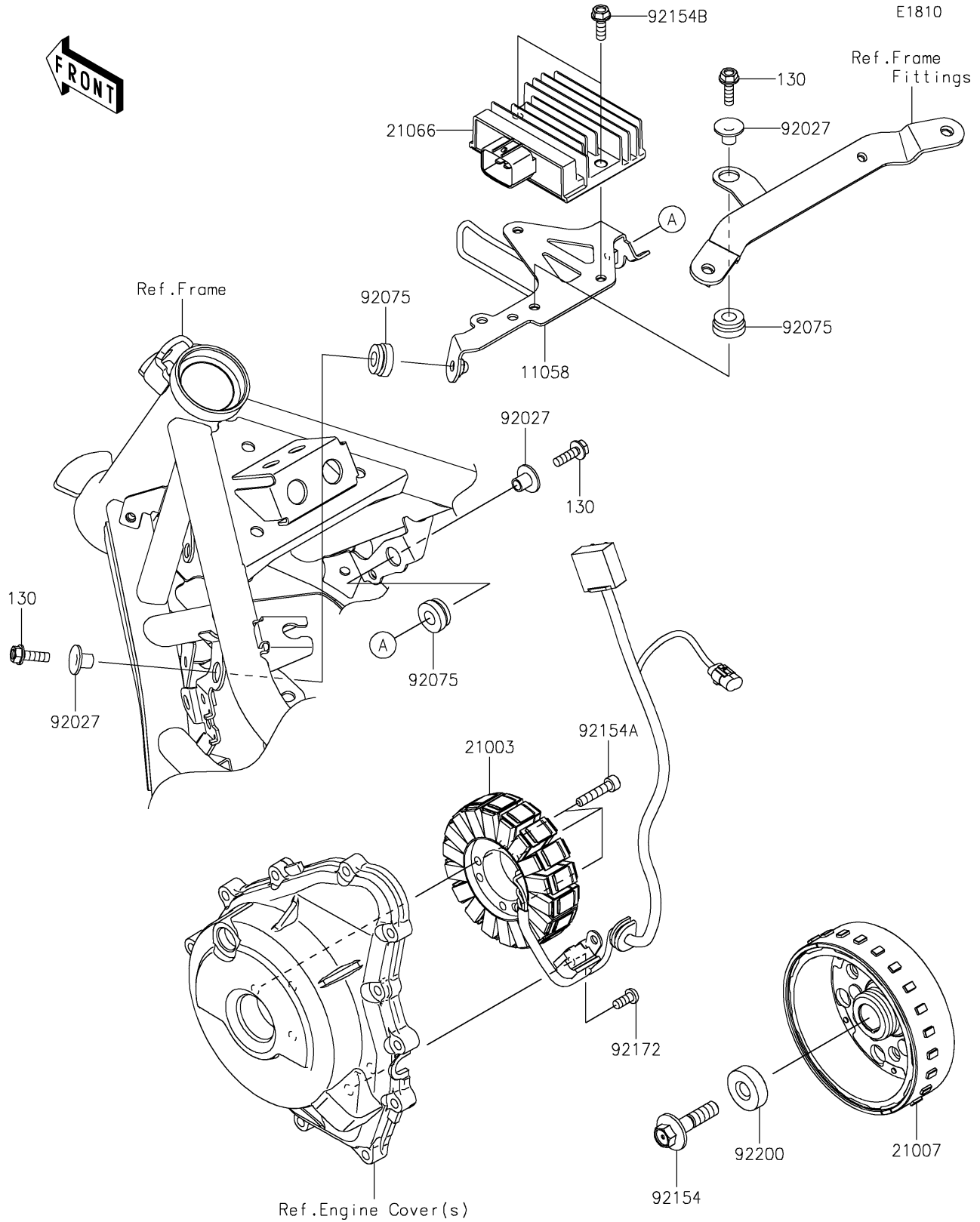


2025 Eliminator PARTS DIAGRAM

Generator



2025 Eliminator PARTS LIST

Generator

ITEM NAME	PART NUMBER	QUANTITY
BRACKET,REGULATOR (Ref # 11058)	11058-0382	1
STATOR (Ref # 21003)	21003-0220	1
ROTOR (Ref # 21007)	21007-0735	1
REGULATOR-VOLTAGE (Ref # 21066)	21066-0761	1
COLLAR,FLANGED,L=12.1,BLACK (Ref # 92027)	92027-1651	3
DAMPER (Ref # 92075)	92075-277	3
BOLT,FLANGED,10X40 (Ref # 92154)	92154-2341	1
BOLT,SOCKET,6X30 (Ref # 92154A)	92154-2820	3
BOLT,FLANGED,6X18 (Ref # 92154B)	92154-2896	2
SCREW,6X14 (Ref # 92172)	92172-1212	2
WASHER,10X30X9 (Ref # 92200)	92200-0790	1
BOLT-FLANGED,6X20 (Ref # 130)	130BA0620	3