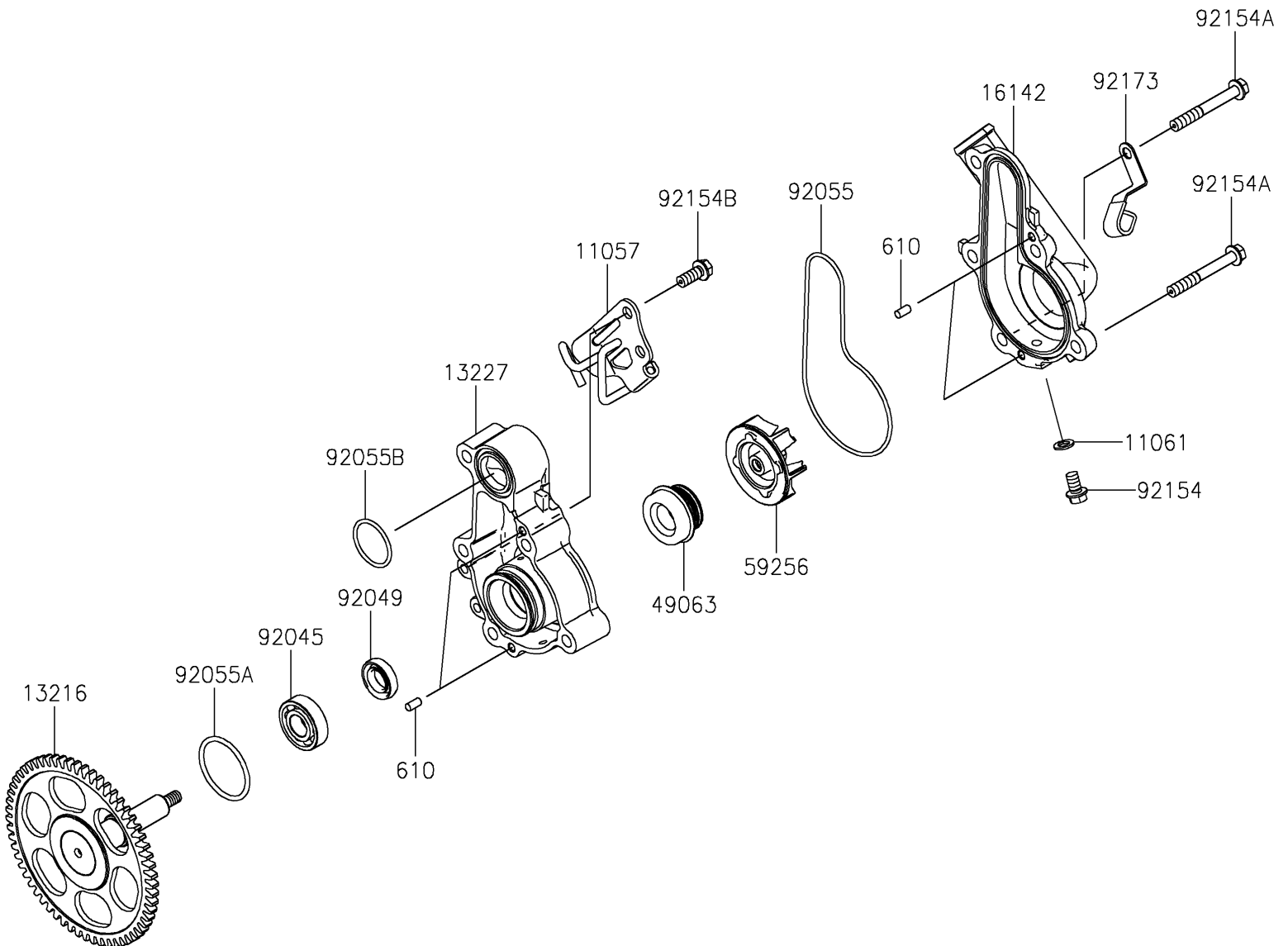


2025 Eliminator PARTS DIAGRAM

Water Pump

E3031



2025 Eliminator PARTS LIST

Water Pump

| ITEM NAME | PART NUMBER | QUANTITY |
|--|-------------|----------|
| BRACKET,OXYGEN SENSOR (Ref # 11057) | 11057-1881 | 1 |
| GASKET,DRAIN (Ref # 11061) | 11061-0875 | 1 |
| GEAR-COMP,WATER PUMP,60T (Ref # 13216) | 13216-0920 | 1 |
| HOUSING (Ref # 13227) | 13227-0040 | 1 |
| COVER-PUMP,WATER (Ref # 16142) | 16142-0757 | 1 |
| SEAL-MECHANICAL (Ref # 49063) | 49063-1055 | 1 |
| IMPELLER (Ref # 59256) | 59256-0554 | 1 |
| BEARING-BALL (Ref # 92045) | 92045-0067 | 1 |
| SEAL-OIL,12X22X5 (Ref # 92049) | 92049-0783 | 1 |
| RING-O (Ref # 92055) | 92055-0889 | 1 |
| RING-O,31.20X2.4 (Ref # 92055A) | 92055-0896 | 1 |
| RING-O,23.3X1.9 (Ref # 92055B) | 92055-1555 | 1 |
| BOLT,FLANGED,6X10 (Ref # 92154) | 92154-2344 | 1 |
| BOLT,FLANGED,6X45 (Ref # 92154A) | 92154-2789 | 5 |
| BOLT,FLANGED,6X14 (Ref # 92154B) | 92154-2838 | 2 |
| CLAMP (Ref # 92173) | 92173-1935 | 1 |
| ROLLER,4X8 (Ref # 610) | 610A0408 | 4 |