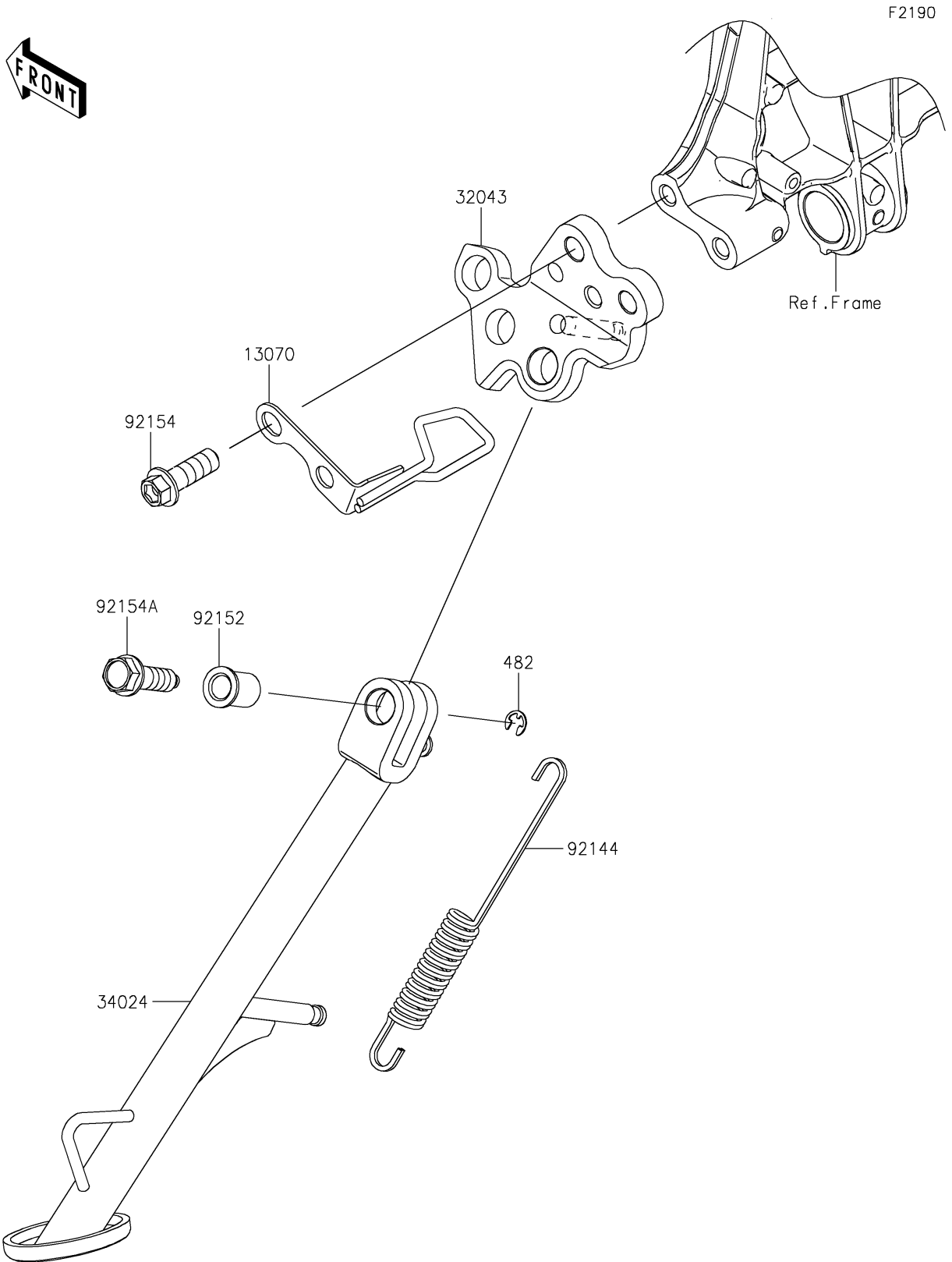


2024 ELIMINATOR® PARTS DIAGRAM

Stand(s)



2024 ELIMINATOR® PARTS LIST

Stand(s)

ITEM NAME	PART NUMBER	QUANTITY
GUIDE,STAND (Ref # 13070)	13070-1414	1
BRACKET-STAND (Ref # 32043)	32043-0691	1
STAND-SIDE (Ref # 34024)	34024-0189	1
SPRING,SIDE STAND (Ref # 92144)	92144-1818	1
COLLAR,10.2X15X20.1 (Ref # 92152)	92152-1914	1
BOLT,10X30,TB2468 (Ref # 92154)	92154-2814	2
BOLT,FLANGED,10X31 (Ref # 92154A)	92154-7256	1
CIRCLIP-TYPE-E (Ref # 482)	482EA5000	1