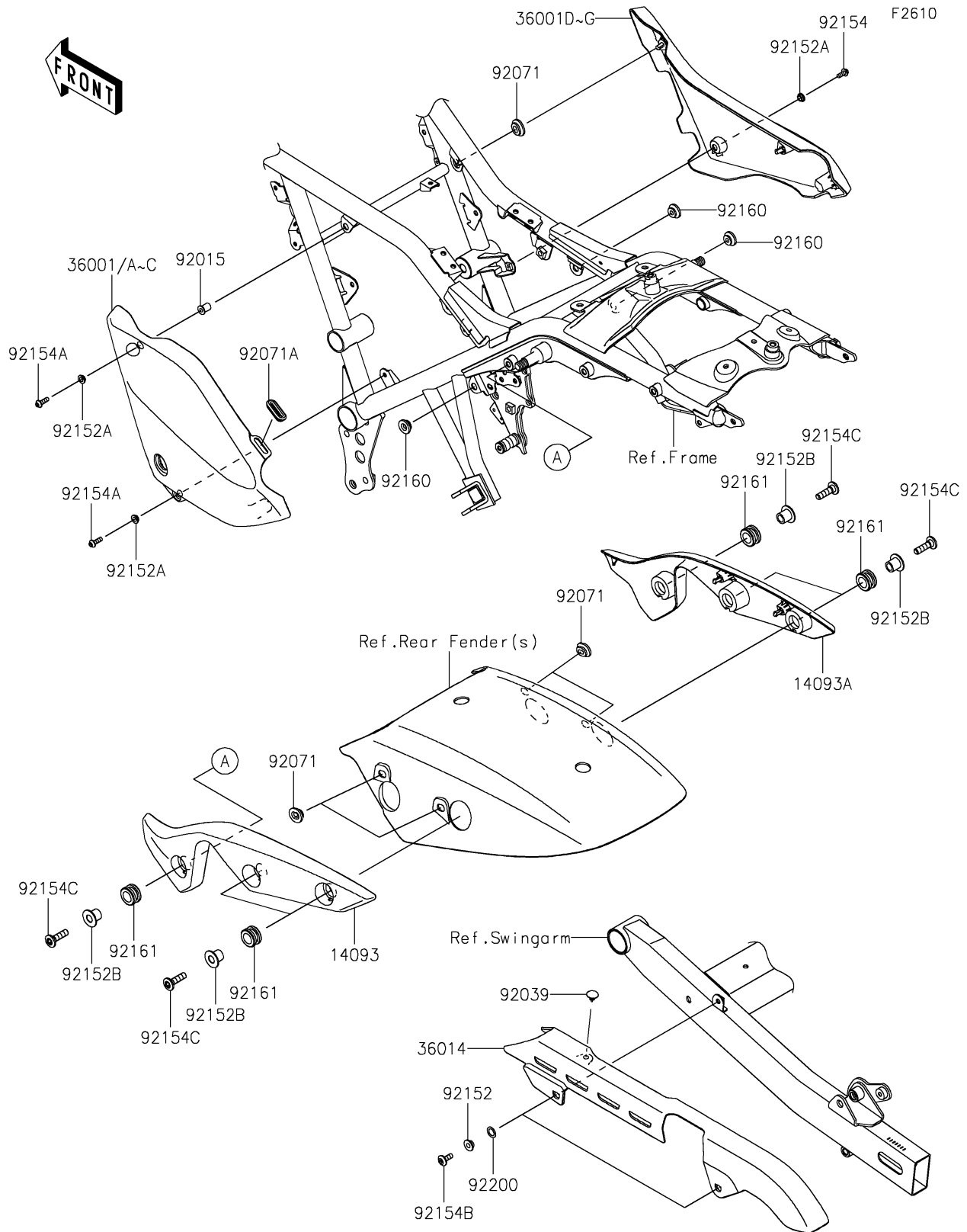


# 2024 ELIMINATOR® PARTS DIAGRAM

## Side Covers/Chain Cover



## 2024 ELIMINATOR® PARTS LIST

### Side Covers/Chain Cover

ITEM NAME	PART NUMBER	QUANTITY
COVER,TAIL,LH,F.S.BLACK (Ref # 14093)	14093-1301-18T	1
COVER,TAIL,RH,F.S.BLACK (Ref # 14093A)	14093-1302-18T	1
COVER-SIDE,LH,P.S.GRAY (Ref # 36001)	36001-0765-36S	1
COVER-SIDE,LH,P.R.WHITE (Ref # 36001B)	36001-0765-68N	1
COVER-SIDE,RH,P.S.GRAY (Ref # 36001D)	36001-0766-36S	1
COVER-SIDE,RH,P.R.WHITE (Ref # 36001F)	36001-0766-68N	1
CASE-CHAIN (Ref # 36014)	36014-0577	1
NUT,WELL,5MM (Ref # 92015)	92015-1757	1
RIVET (Ref # 92039)	92039-0722	1
GROMMET,20X24X7.5 (Ref # 92071)	92071-0766	5
GROMMET (Ref # 92071A)	92071-1187	1
COLLAR,6.5X10X5.9 (Ref # 92152)	92152-2486	2
COLLAR (Ref # 92152A)	92152-2903	3
COLLAR (Ref # 92152B)	92152-2950	6
BOLT,SOCKET,5X12 (Ref # 92154)	92154-1421	1
BOLT,SOCKET,5X16 (Ref # 92154A)	92154-4294	2
BOLT,SOCKET,6X16 (Ref # 92154B)	92154-4370	2
BOLT,8X30 (Ref # 92154C)	92154-7174	6
DAMPER (Ref # 92160)	92160-1613	3
DAMPER,15.5X26X14.5 (Ref # 92161)	92161-1361	6
WASHER,10.4X15.9X0.5 (Ref # 92200)	92200-0157	2