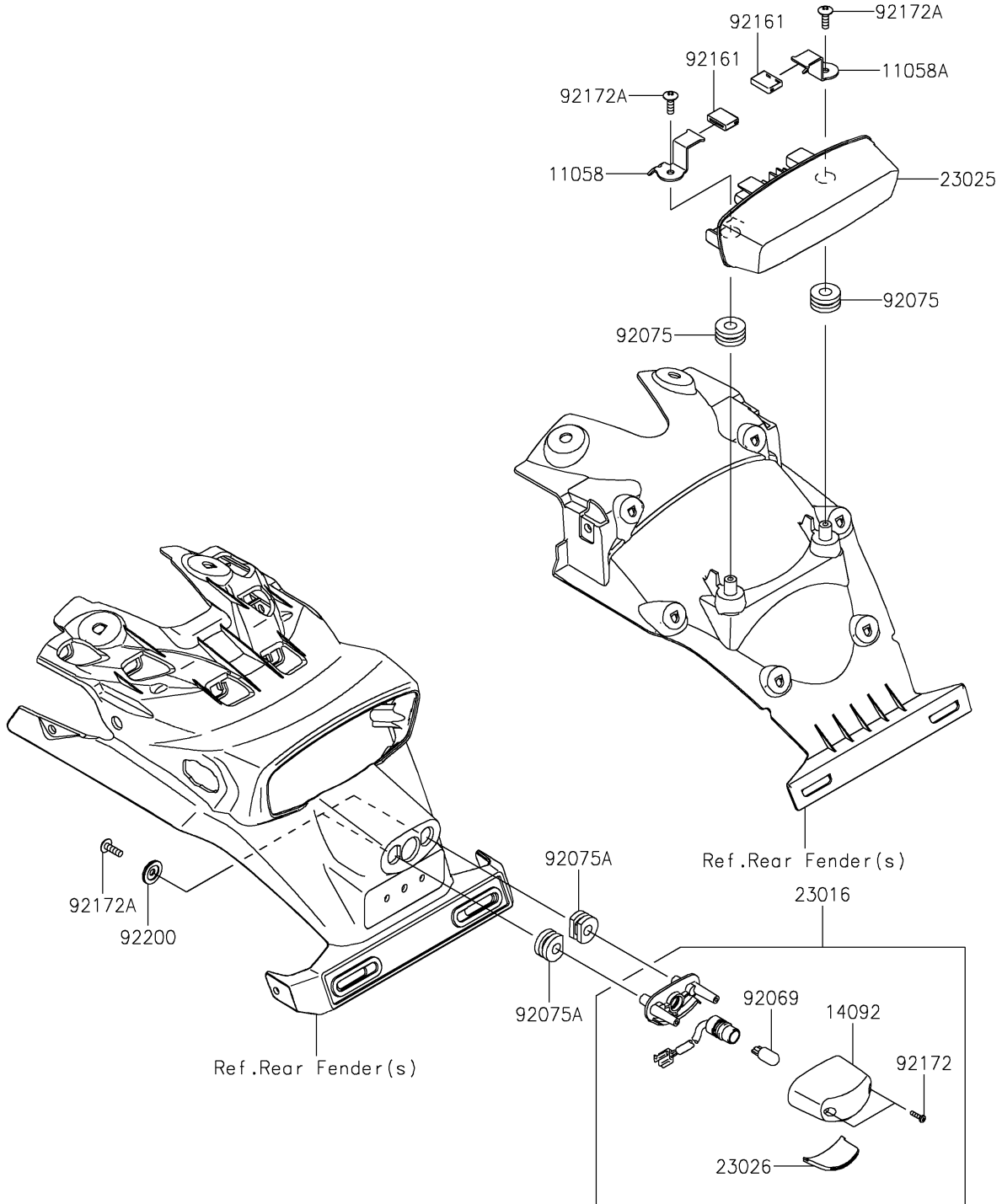


2025 Eliminator PARTS DIAGRAM

Taillight(s)

F2720



2025 Eliminator PARTS LIST

Taillight(s)

ITEM NAME	PART NUMBER	QUANTITY
BRACKET,TAIL LAMP,LH (Ref # 11058)	11058-0504	1
BRACKET,TAIL LAMP,RH (Ref # 11058A)	11058-0505	1
COVER,LICENSE LAMP (Ref # 14092)	14092-0001	1
LAMP-ASSY,LICENCE (Ref # 23016)	23016-0658	1
LAMP-TAIL,LED (Ref # 23025)	23025-0396	1
LENS,LICENCE LAMP (Ref # 23026)	23026-0035	1
BULB,12V 5W (Ref # 92069)	92069-1016	1
DAMPER,10X24X12 (Ref # 92075)	92075-1690	2
DAMPER (Ref # 92075A)	92075-1870	2
DAMPER,15X21X5.5 (Ref # 92161)	92161-1472	2
SCREW,TAPPING,2.9X13 (Ref # 92172)	92172-0343	2
SCREW,TAPPING,5X16 (Ref # 92172A)	92172-0427	4
WASHER,5.5X20X2 (Ref # 92200)	92200-1971	2