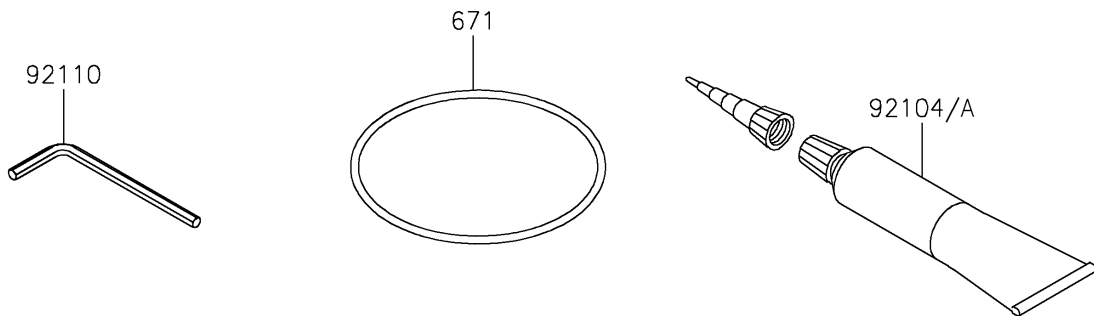
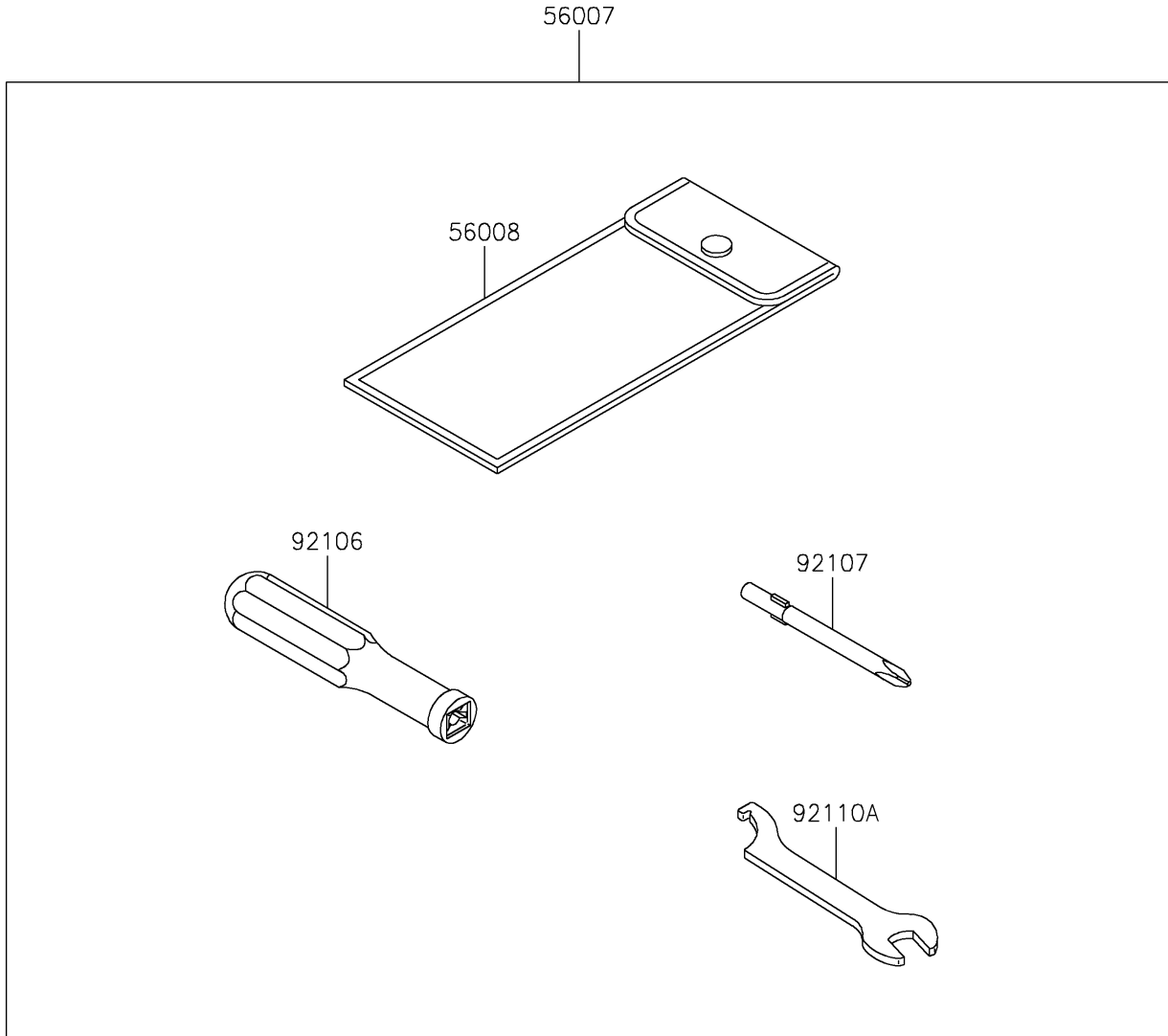


2025 Eliminator PARTS DIAGRAM

Owner's Tools

F2810



2025 Eliminator PARTS LIST

Owner's Tools

ITEM NAME	PART NUMBER	QUANTITY
TOOL-KIT (Ref # 56007)	56007-0198	1
BAG,TOOL (Ref # 56008)	56008-0036	1
GASKET-LIQUID,TB1211F,CLEAR (Ref # 92104)	92104-0004	1
GASKET-LIQUID,TB1216B,BLACK (Ref # 92104A)	92104-1064	1
GRIP-SCREW DRIVER (Ref # 92106)	92106-0004	1
TOOL-DRIVER,#2PHILLIPS (Ref # 92107)	92107-0020	1
TOOL-WRENCH,ALLEN,4MM (Ref # 92110)	92110-0567	1
TOOL-WRENCH,R22.5X14MM (Ref # 92110A)	92110-0633	1
O RING,90MM (Ref # 671)	671B2590	1