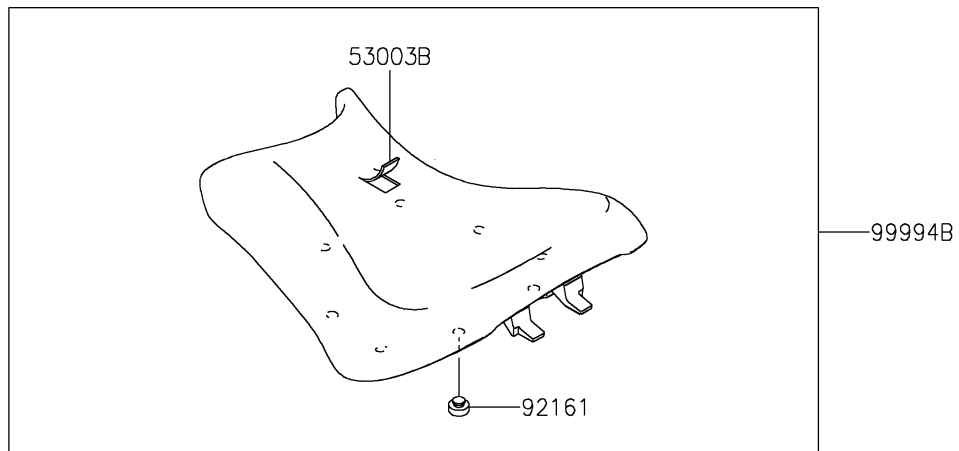
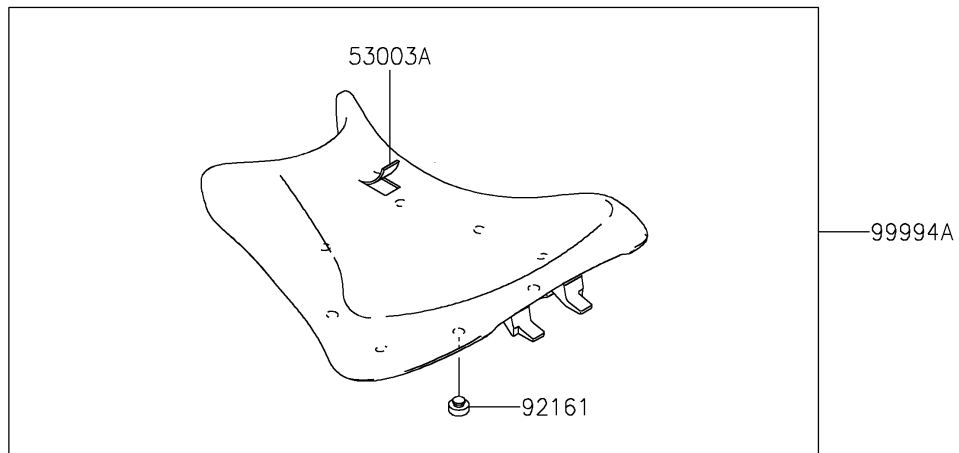
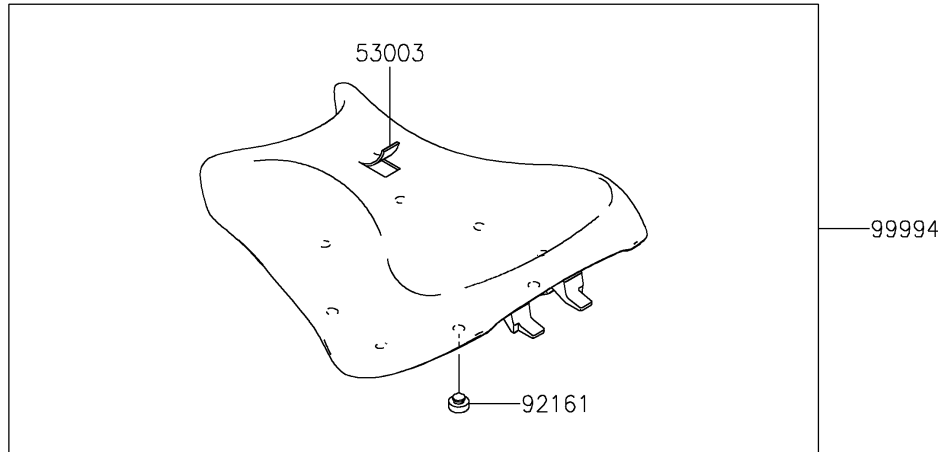


# 2025 Eliminator PARTS DIAGRAM

Accessory(Seat)

F2910B



## 2025 Eliminator PARTS LIST

### Accessory(Seat)

ITEM NAME	PART NUMBER	QUANTITY
LEATHER,BLACK (Ref # 53003)	53003-0672-MA	1
LEATHER,BLACK (Ref # 53003A)	53003-0673-MA	1
LEATHER,BLACK (Ref # 53003B)	53003-0674-MA	1
DAMPER,10X20X8 (Ref # 92161)	92161-0855	8
HIGH SEAT,BLACK (Ref # 99994)	99994-1903-MA	1
LOW SEAT,BLACK (Ref # 99994A)	99994-1904-MA	1
SE SEAT,BLACK (Ref # 99994B)	99994-1905-MA	1