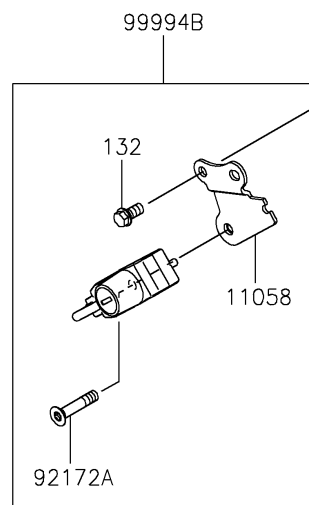
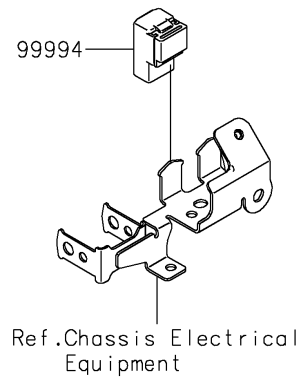
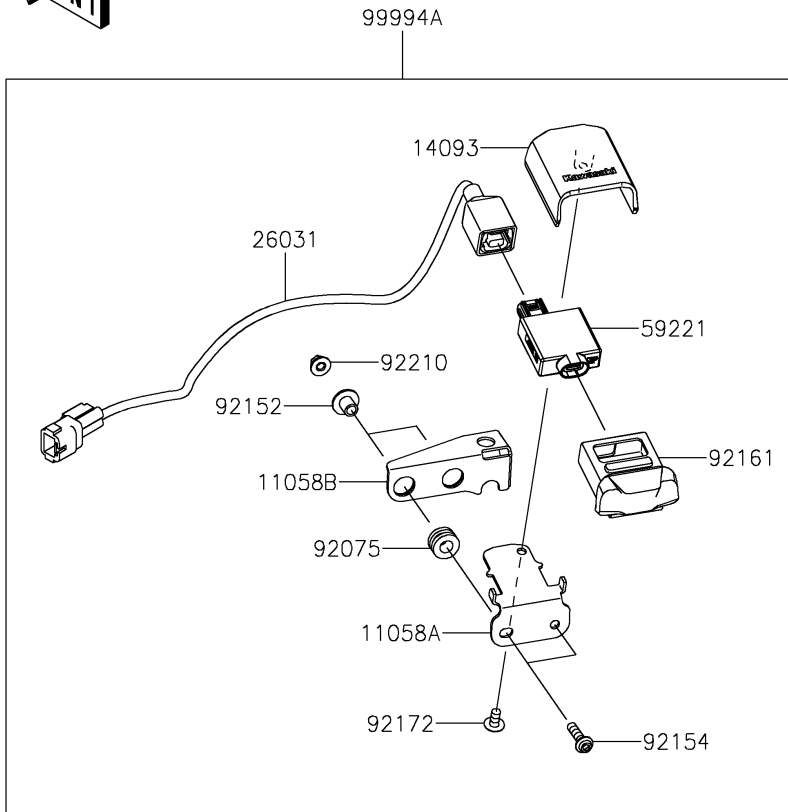


2024 ELIMINATOR® PARTS DIAGRAM

Accessory(Helmet Lock etc.)

F2910F



2024 ELIMINATOR® PARTS LIST

Accessory(Helmet Lock etc.)

ITEM NAME	PART NUMBER	QUANTITY
BRACKET (Ref # 11058)	11058-0594	1
BRACKET (Ref # 11058A)	11058-0605	1
BRACKET (Ref # 11058B)	11058-0606	1
COVER,USB (Ref # 14093)	14093-1458	1
HARNESS,USB CHARGER (Ref # 26031)	26031-3972	1
CONNECTOR-CORD,USB TYPE-C (Ref # 59221)	59221-0022	1
DAMPER (Ref # 92075)	92075-1912	2
COLLAR (Ref # 92152)	92152-0134	2
BOLT,SOCKET,5X20 (Ref # 92154)	92154-0829	2
DAMPER (Ref # 92161)	92161-2497	1
SCREW,5X10 (Ref # 92172)	92172-1194	1
SCREW,HEXLOBE,6X30 (Ref # 92172A)	92172-1378	1
NUT,FLANGED,5MM (Ref # 92210)	92210-0007	2
ACC-RELAY (Ref # 99994)	99994-1727	1
USB OUTLET TYPE-C (Ref # 99994A)	99994-1906	1
HELMET LOCK (Ref # 99994B)	99994-1908	1
BOLT-FLANGED-SMALL,6X12 (Ref # 132)	132BA0612	2