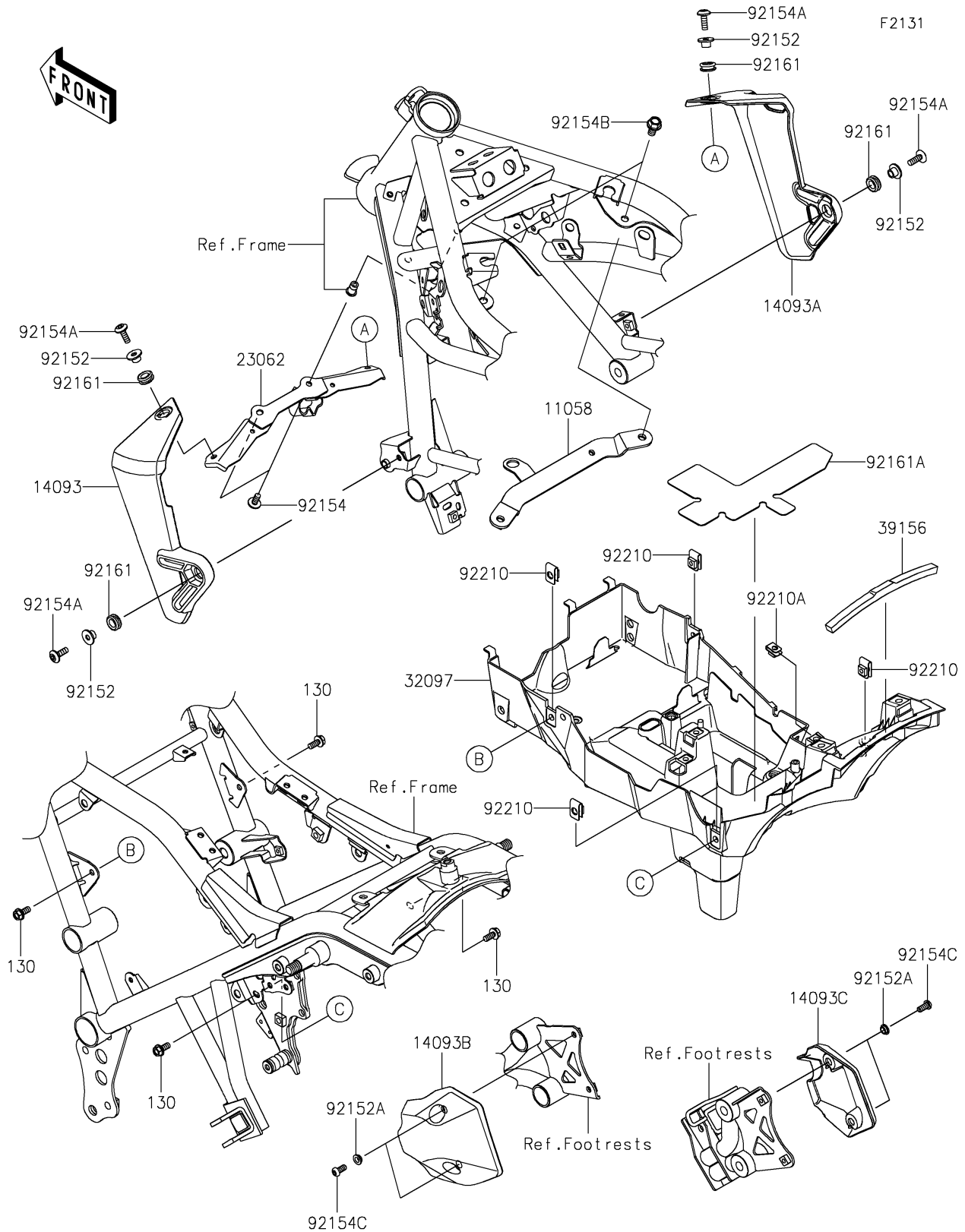


2024 ELIMINATOR® SE ABS PARTS DIAGRAM

Frame Fittings



2024 ELIMINATOR® SE ABS PARTS LIST

Frame Fittings

ITEM NAME	PART NUMBER	QUANTITY
BRACKET,REGULATOR (Ref # 11058)	11058-0554	1
COVER,RADIATOR,LH (Ref # 14093)	14093-1323	1
COVER,RADIATOR,RH (Ref # 14093A)	14093-1324	1
COVER,HEEL GUARD,LH (Ref # 14093B)	14093-1325	1
COVER,HEEL GUARD,RH (Ref # 14093C)	14093-1326	1
BRACKET-COMP,RADIATOR (Ref # 23062)	23062-1393	1
CASE-BATTERY (Ref # 32097)	32097-0576	1
PAD,170X10X12 (Ref # 39156)	39156-2863	1
COLLAR,6.8X10X8.6 (Ref # 92152)	92152-0888	4
COLLAR (Ref # 92152A)	92152-3772	4
BOLT,SOCKET,6X14 (Ref # 92154)	92154-0907	2
BOLT,SOCKET,6X18 (Ref # 92154A)	92154-2438	4
BOLT-FLANGED,8X14 (Ref # 92154B)	92154-3851	2
BOLT,SOCKET,6X14 (Ref # 92154C)	92154-7064	4
DAMPER (Ref # 92161)	92161-0266	4
DAMPER,BATTERY CASE (Ref # 92161A)	92161-2484	1
NUT,6MM (Ref # 92210)	92210-0891	4
NUT,PLATE,5MM (Ref # 92210A)	92210-0935	1
BOLT-FLANGED,6X14 (Ref # 130)	130BA0614	4