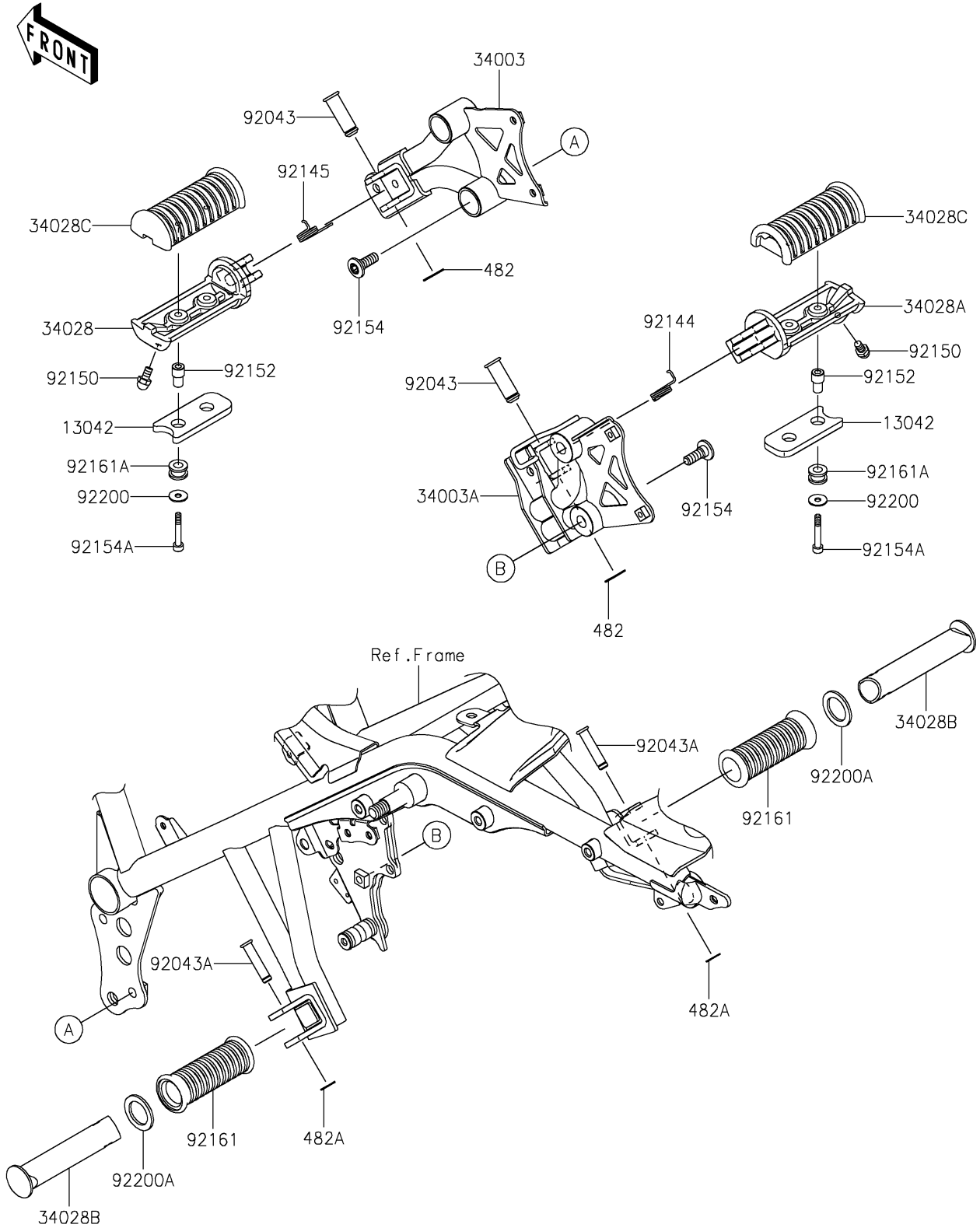


2024 Eliminator® SE PARTS DIAGRAM

Footrests

F2160



2024 Eliminator® SE PARTS LIST

Footrests

ITEM NAME	PART NUMBER	QUANTITY
WEIGHT (Ref # 13042)	13042-0812	2
HOLDER-STEP,FR,LH (Ref # 34003)	34003-0198	1
HOLDER-STEP,FR,RH (Ref # 34003A)	34003-0199	1
STEP,FR,LH (Ref # 34028)	34028-0316	1
STEP,FR,RH (Ref # 34028A)	34028-0317	1
STEP,RR (Ref # 34028B)	34028-0344	2
STEP,RUBBER (Ref # 34028C)	34028-0410	2
PIN,12X37 (Ref # 92043)	92043-0150	2
PIN,8X36.5 (Ref # 92043A)	92043-1339	2
SPRING,STEP RETURN (Ref # 92144)	92144-1568	1
SPRING,STEP RETURN,LH (Ref # 92145)	92145-0360	1
BOLT,BANK SENSER (Ref # 92150)	92150-1153	2
COLLAR (Ref # 92152)	92152-3789	4
BOLT,SOCKET,8X23 (Ref # 92154)	92154-7054	4
BOLT,SOCKET,5X33 (Ref # 92154A)	92154-7193	4
DAMPER,STEP (Ref # 92161)	92161-0232	2
DAMPER,8X16X8 (Ref # 92161A)	92161-2082	4
WASHER,5.2X16X1.2 (Ref # 92200)	92200-0583	4
WASHER,22.5X33X2.3 (Ref # 92200A)	92200-1482	2
CIRCLIP-TYPE-E,10MM (Ref # 482)	482EA0100	2
CIRCLIP-TYPE-E (Ref # 482A)	482EA7000	2