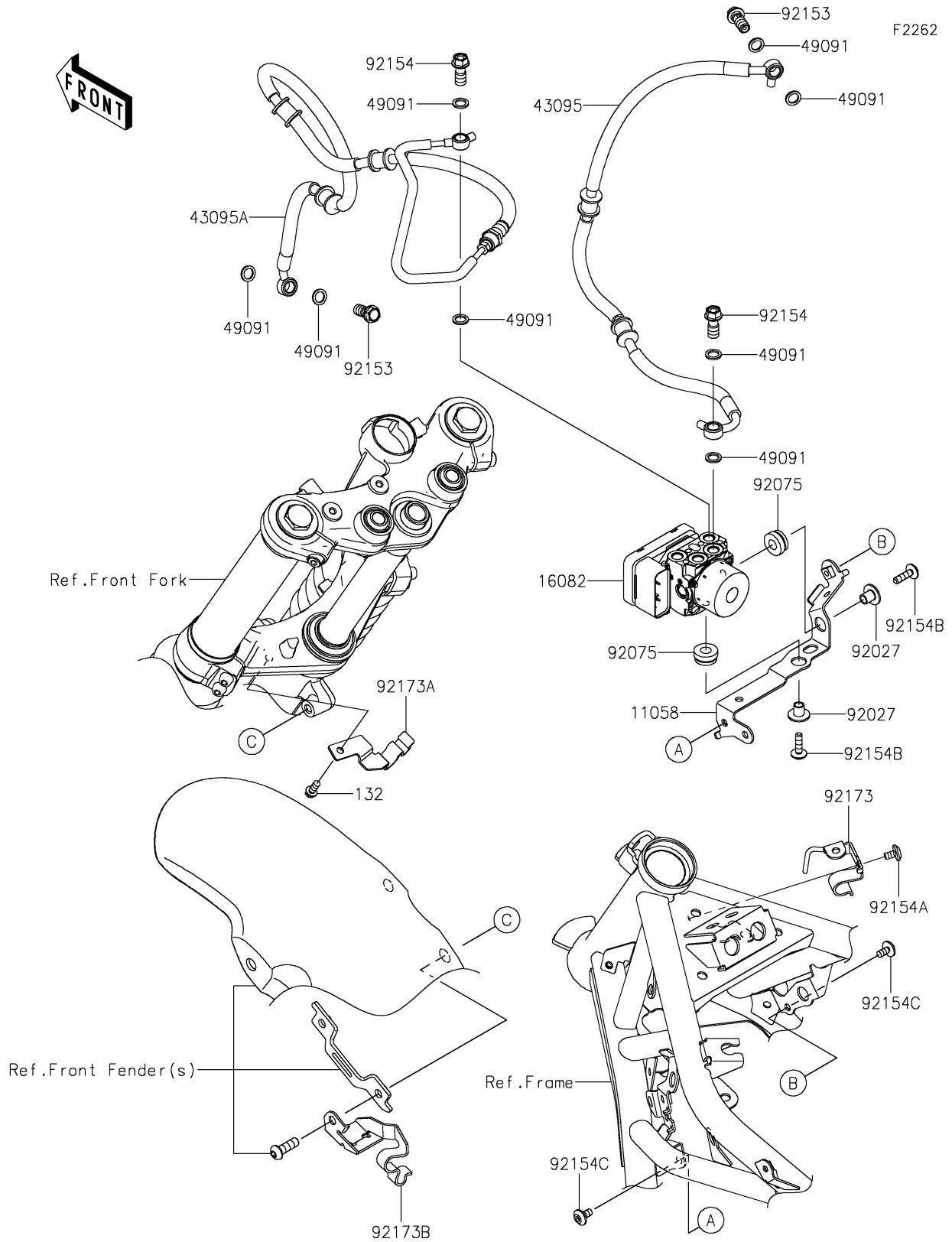


# 2025 Eliminator SE ABS PARTS DIAGRAM

## Brake Piping



## 2025 Eliminator SE ABS PARTS LIST

### Brake Piping

ITEM NAME	PART NUMBER	QUANTITY
BRACKET,ABS UNIT (Ref # 11058)	11058-0548	1
PUMP-ASSY-OIL,ABS,WET (Ref # 16082)	16082-0940	1
HOSE-BRAKE,ABS-FR M/CYLINDER (Ref # 43095)	43095-1878	1
HOSE-BRAKE,ABS-FR CALIPER (Ref # 43095A)	43095-1879	1
WASHER-SEAL,10.1X14.5X1.5 (Ref # 49091)	49091-0001	8
COLLAR,FLANGED,L=12.1,BLACK (Ref # 92027)	92027-1651	2
DAMPER (Ref # 92075)	92075-277	2
BOLT,OIL,L=23 (Ref # 92153)	92153-0627	2
BOLT,BANJO,10X22 (Ref # 92154)	92154-1138	2
BOLT,SOCKET,6X10 (Ref # 92154A)	92154-1693	1
BOLT,SOCKET,6X22 (Ref # 92154B)	92154-2302	2
BOLT,SOCKET,6X12 (Ref # 92154C)	92154-4310	2
CLAMP,HOSE (Ref # 92173)	92173-2579	1
CLAMP,UNDER BRACKET (Ref # 92173A)	92173-2581	1
CLAMP,FR FENDER (Ref # 92173B)	92173-2718	1
BOLT-FLANGED-SMALL,6X14 (Ref # 132)	132BB0614	1