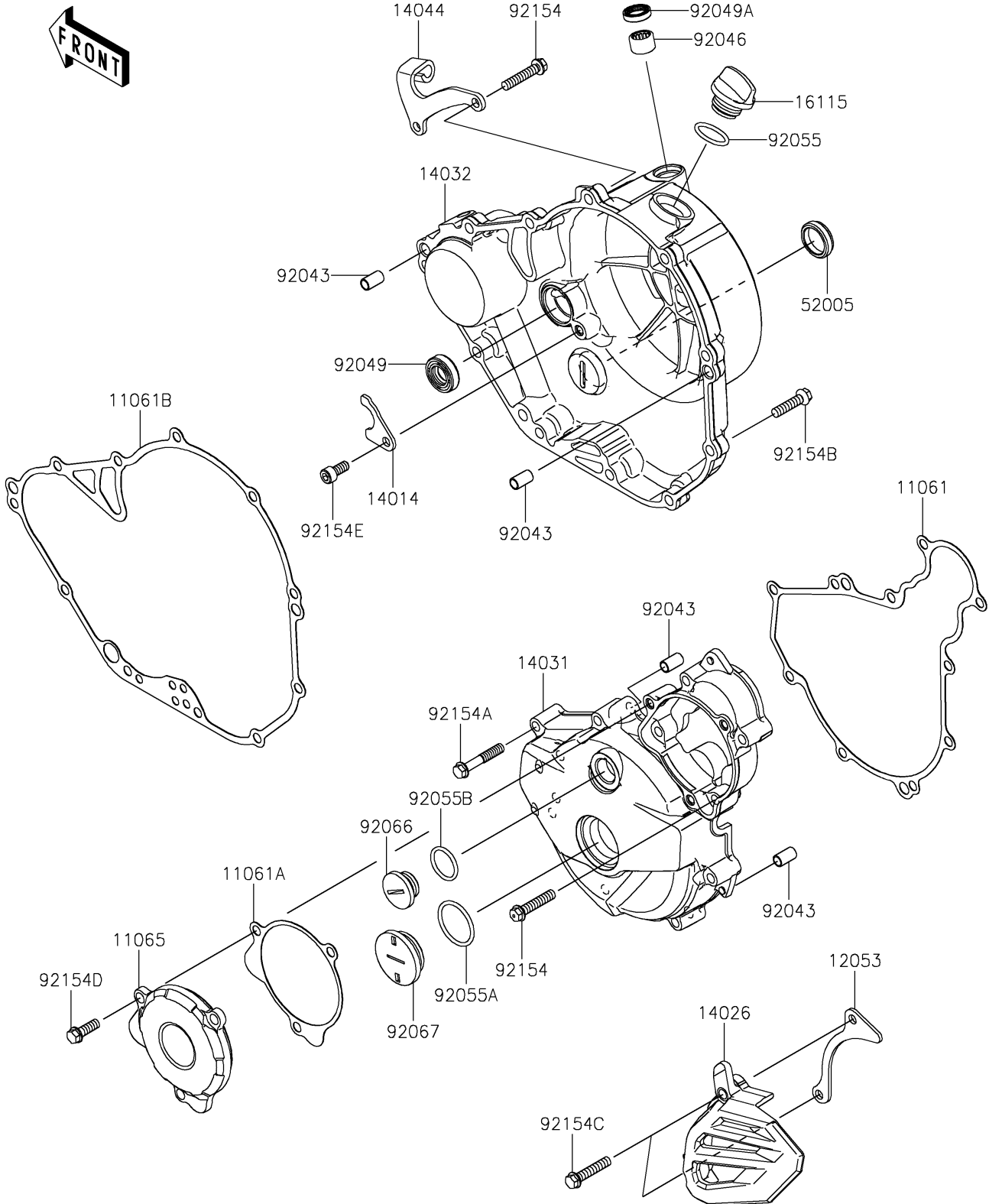


2025 KLX® 230R PARTS DIAGRAM

Engine Cover(s)

E1431



2025 KLX® 230R PARTS LIST

Engine Cover(s)

ITEM NAME	PART NUMBER	QUANTITY
GASKET,GENERATOR COVER (Ref # 11061)	11061-1299	1
GASKET,GENERATOR COVER CAP (Ref # 11061A)	11061-1300	1
GASKET,CLUTCH COVER (Ref # 11061B)	11061-1301	1
CAP,GENERATOR COVER (Ref # 11065)	11065-1300	1
GUIDE-CHAIN (Ref # 12053)	12053-0272	1
PLATE-POSITION (Ref # 14014)	14014-0567	1
COVER-CHAIN (Ref # 14026)	14026-0146	1
COVER-GENERATOR (Ref # 14031)	14031-0644	1
COVER-CLUTCH (Ref # 14032)	14032-0685	1
HOLDER-CABLE (Ref # 14044)	14044-0578	1
CAP-OIL FILLER (Ref # 16115)	16115-1053	1
GAUGE,OIL LEVEL (Ref # 52005)	52005-1009	1
PIN,6.2X8X14 (Ref # 92043)	92043-1741	4
BEARING-NEEDLE,HK1210FM (Ref # 92046)	92046-0034	1
SEAL-OIL (Ref # 92049)	92049-1191	1
SEAL-OIL,AG0353-F0 (Ref # 92049A)	92049-1262	1
RING-O,19.8MM (Ref # 92055)	92055-0844	1
RING-O,27.7X2.4 (Ref # 92055A)	92055-091	1
RING-O,20X2 (Ref # 92055B)	92055-1786	1
PLUG,COVER (Ref # 92066)	92066-0011	1
PLUG,30X8 (Ref # 92067)	92067-024	1
BOLT,FLANGED,6X30 (Ref # 92154)	92154-4061	4
BOLT,FLANGED,6X35 (Ref # 92154A)	92154-7465	8
BOLT,FLANGED,6X25 (Ref # 92154B)	92154-7466	9
BOLT,FLANGED,6X30 (Ref # 92154C)	92154-7469	2
BOLT,FLANGED,6X18 (Ref # 92154D)	92154-7470	3
BOLT,SOCKET,6X14 (Ref # 92154E)	92154-7476	1