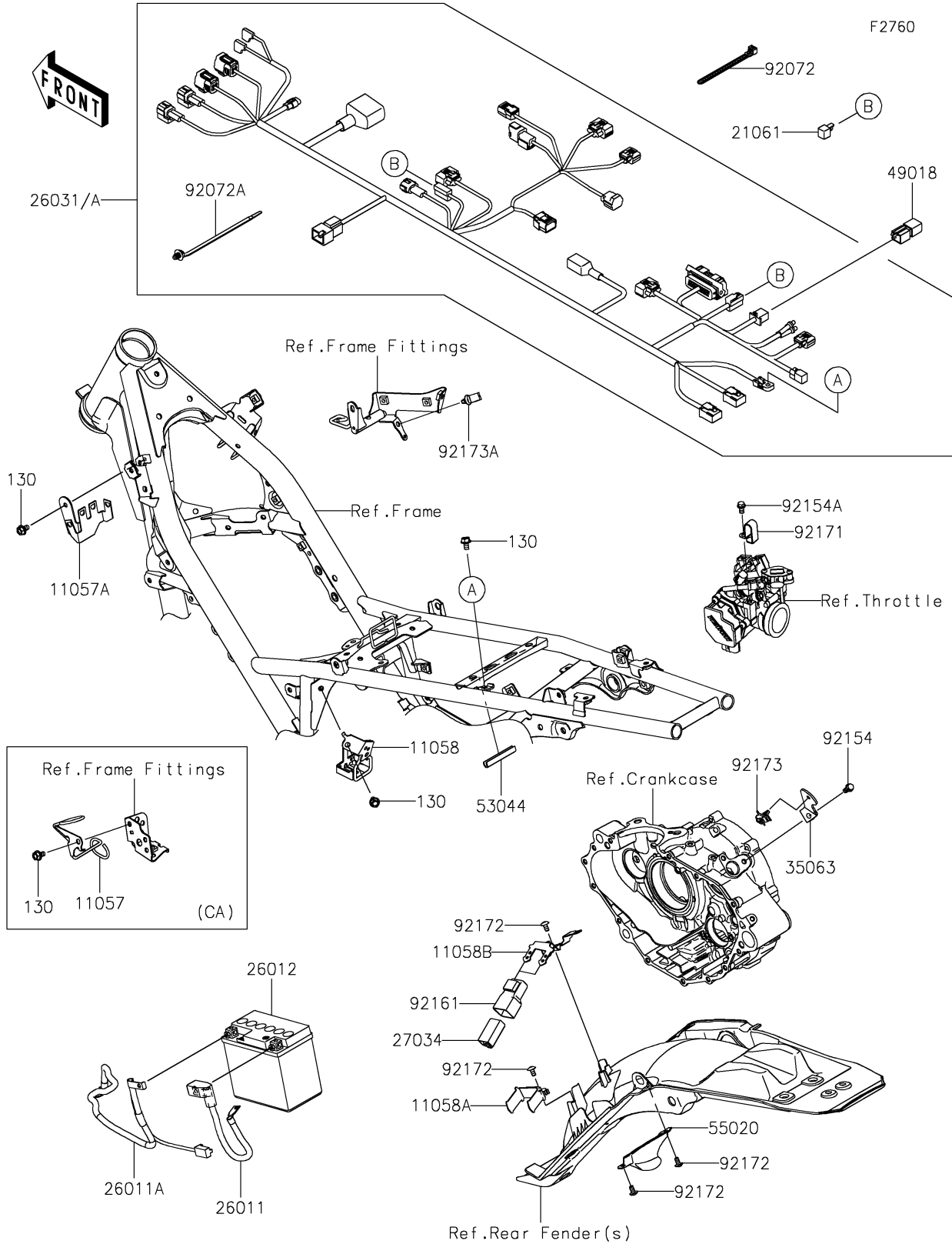


2025 KLX® 230R PARTS DIAGRAM

Chassis Electrical Equipment



2025 KLX® 230R PARTS LIST

Chassis Electrical Equipment

ITEM NAME	PART NUMBER	QUANTITY
BRACKET (Ref # 11057)	11057-2463	1
BRACKET (Ref # 11057A)	11057-2539	1
BRACKET (Ref # 11058)	11058-1293	1
BRACKET,MAGNETIC SWITCH (Ref # 11058A)	11058-1331	1
BRACKET,RELAY (Ref # 11058B)	11058-1333	1
RECTIFIER (Ref # 21061)	21061-1003	2
WIRE-LEAD,BATTERY(+) (Ref # 26011)	26011-2465	1
WIRE-LEAD,BATTERY(-) (Ref # 26011A)	26011-2466	1
BATTERY,YTX5L-BS,12V 4AH (Ref # 26012)	26012-0905	1
HARNESS,MAIN (Ref # 26031)	26031-4458	1
HARNESS,MAIN (Ref # 26031A)	26031-4460	1
RELAY (Ref # 27034)	27034-0012	2
STAY (Ref # 35063)	35063-1476	1
DIODE (Ref # 49018)	49018-0005	1
TRIM (Ref # 53044)	53044-0565	1
GUARD,O2 SENSOR (Ref # 55020)	55020-2526	1
BAND,L=140 (Ref # 92072)	92072-0949	1
BAND,OS170-FT7(BLACK) (Ref # 92072A)	92072-1414	AR
BOLT,FLANGED,6X12 (Ref # 92154)	92154-1776	1
BOLT-FLANGED-SMALL,6X10 (Ref # 92154A)	92154-4407	1
DAMPER,RELAY (Ref # 92161)	92161-2546	2
CLAMP (Ref # 92171)	92171-0911	1
SCREW,CROS,5X10 (Ref # 92172)	92172-1255	4
CLAMP (Ref # 92173)	92173-1163	1
CLAMP (Ref # 92173A)	92173-1951	1
BOLT-FLANGED,6X10 (Ref # 130)	130BA0610	4
BOLT-FLANGED,6X10 (Ref # 130)	130BA0610	3