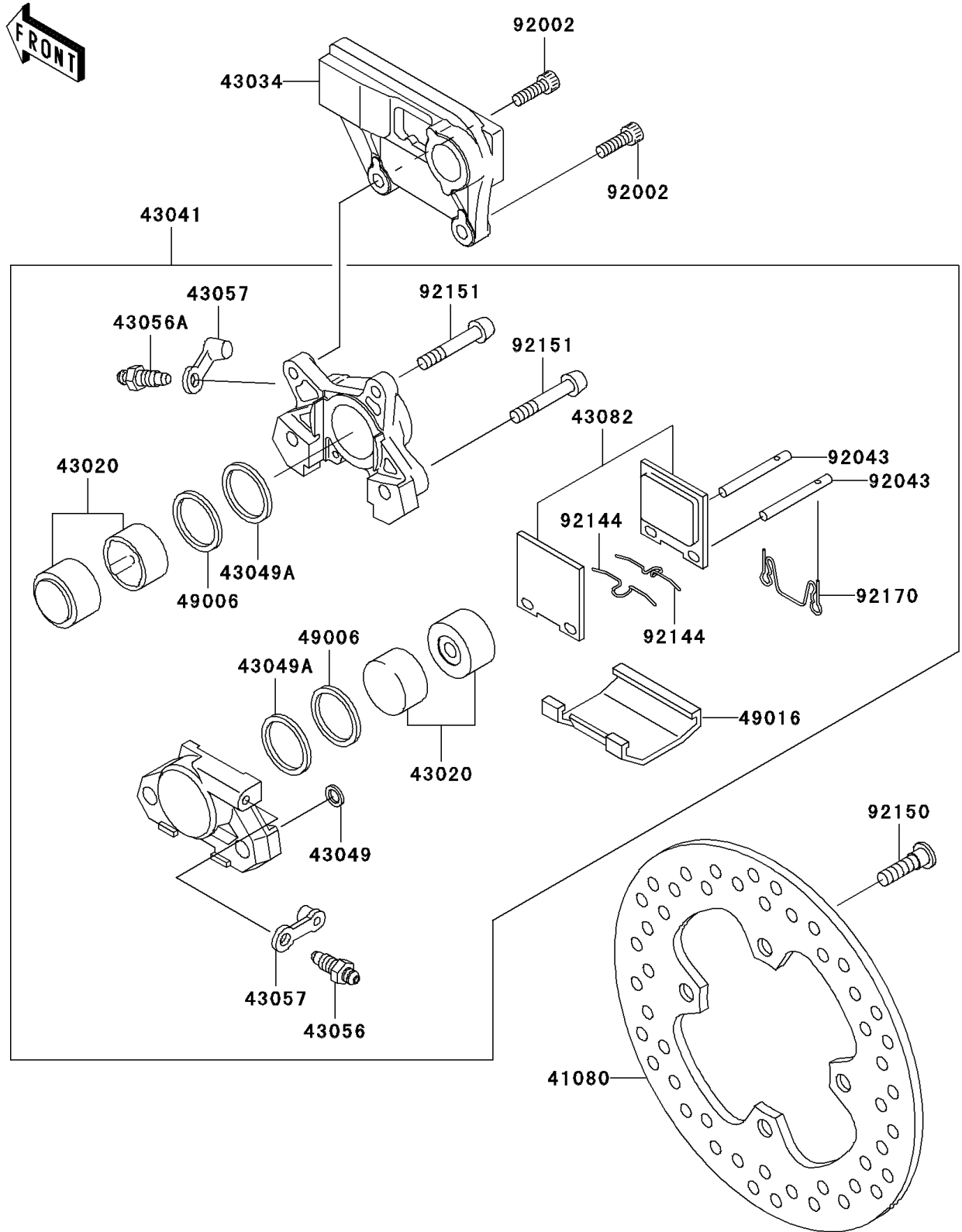


2003 Ninja® ZX™-12R PARTS DIAGRAM

Rear Brake(B1/B2)

F2294



2003 Ninja® ZX™ -12R PARTS LIST

Rear Brake(B1/B2)

ITEM NAME	PART NUMBER	QUANTITY
DISC,RR,GOLD NO.1 (Ref # 41080)	41080-1469-CL	1
PISTON-COMP-BRAKE (Ref # 43020)	43020-1111	2
HOLDER-BRAKE,REAR CALIPER (Ref # 43034)	43034-1158	1
CALIPER-ASSY,RR,A.GOLD (Ref # 43041)	43041-1708-8Q	1
PACKING,SEAL,6.5X11.5X2.2 (Ref # 43049)	43049-1004	1
PACKING,PISTON SEAL (Ref # 43049A)	43049-1097	2
BREATHER (Ref # 43056)	43056-003	1
BREATHER-BRAKE (Ref # 43056A)	43056-1054	1
CAP-BREATHER (Ref # 43057)	43057-003	2
PAD-ASSY-BRAKE (Ref # 43082)	43082-1257	1
BOOT,PISTON SEAL (Ref # 49006)	49006-1212	2
COVER-SEAL (Ref # 49016)	49016-1145	1
BOLT,SOCKET,8X25 (Ref # 92002)	92002-1442	2
PIN (Ref # 92043)	92043-1522	2
SPRING,PAD (Ref # 92144)	92144-1401	2
BOLT,SOCKET,8X30 (Ref # 92150)	92150-1771	4
BOLT,SOCKET,10X45 (Ref # 92151)	92151-1106	2
CLAMP (Ref # 92170)	92170-1635	1